

OKC

- Capacities of 80–200 l
- Comes in wall-mounted version
- With a 2.2 kW electrical heating unit
- 1 wall-mounted console and support for capacities of 80–125 l; 2 wall-mounted consoles for 160–200 l
- Towel holder not included



OKC 80–160

OKC 200

Types of storage tanks		OKC 80	OKC 100	OKC 125	OKC 160	OKC 200
Capacity	[l]	75	95	120	147	195
Dimension (Ø × h)	[mm]	524 × 757	524 × 902	524 × 1067	524 × 1255	584 × 1287
Weight of the empty water heater	[kg]	40	50	55	62	79
Heating time from 10 °C to 60 °C	[h]	2,0	2,5	3,2	3,9	5,2
Heat transfer surface of the exchanger	[m ²]	0,41	0,68	0,68	0,68	0,68
Capacity of the exchanger	[l]	1,8	2,9	2,9	2,9	2,9
Power of the exchanger at the 310 l at 80 °C	[kW]	6	9	9	9	9
Heating time by the exchanger from 10 °C to 60 °C	[min]	50	48	55	67	86
Energy efficiency class				C		
Annual consumption	[kWh·a ⁻¹]	1342	1362	1409	2622	4403

OKC/1 m²

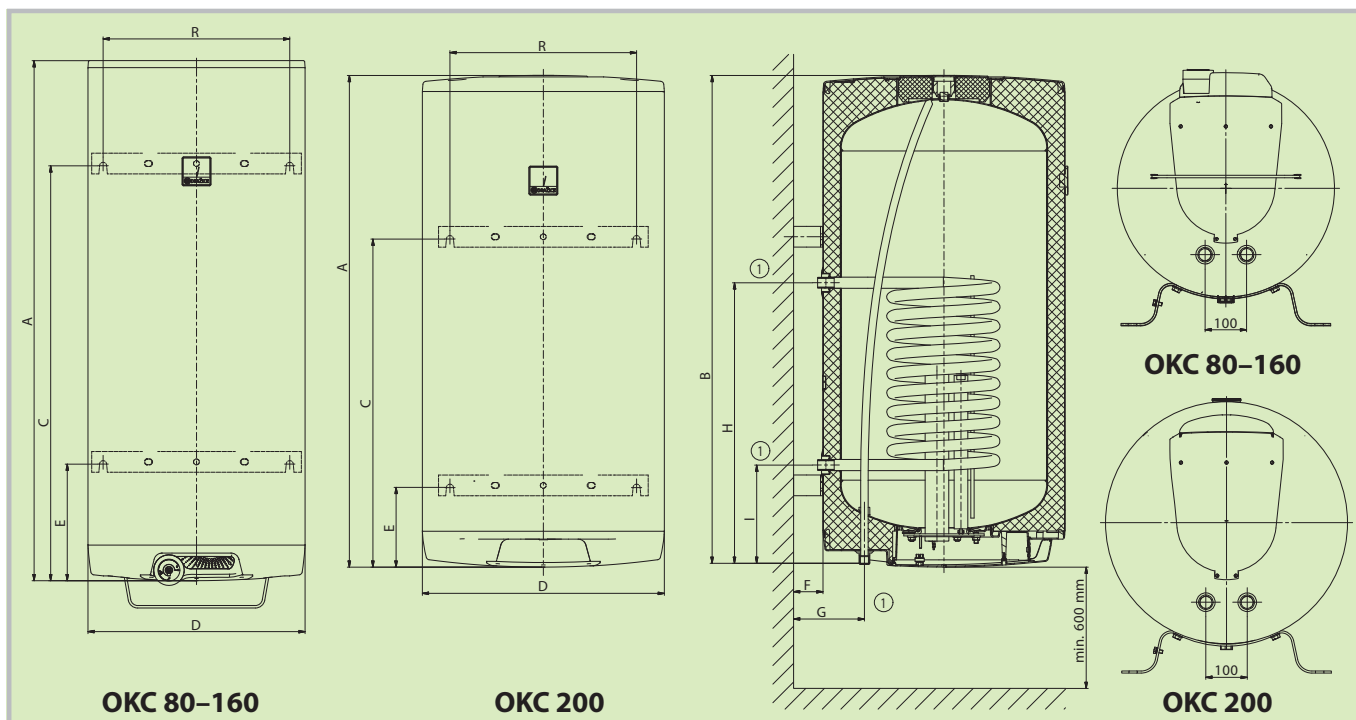
Types of storage tanks		OKC 100/1m ²	OKC 125/1m ²	OKC 160/1m ²	OKC 200/1m ²
Capacity	[l]	95	120	147	195
Dimension (Ø × h)	[mm]	524 × 902	524 × 1067	524 × 1255	584 × 1287
Weight of the empty water heater	[kg]	57	64	71	85
Heating time from 10 °C to 60 °C	[h]	2,5	3,2	3,9	5,2
Heat transfer surface of the exchanger	[m ²]			1,08	
Capacity of the exchanger	[l]			7,1	
Power of the exchanger at the 720 l at 80 °C	[kW]			24	
Heating time by the exchanger from 10 °C to 60 °C	[min]	14	17	21	28
Energy efficiency class		B	C	C	C
Static loss	[W]	47	57	67	72

OKC NTR/Z

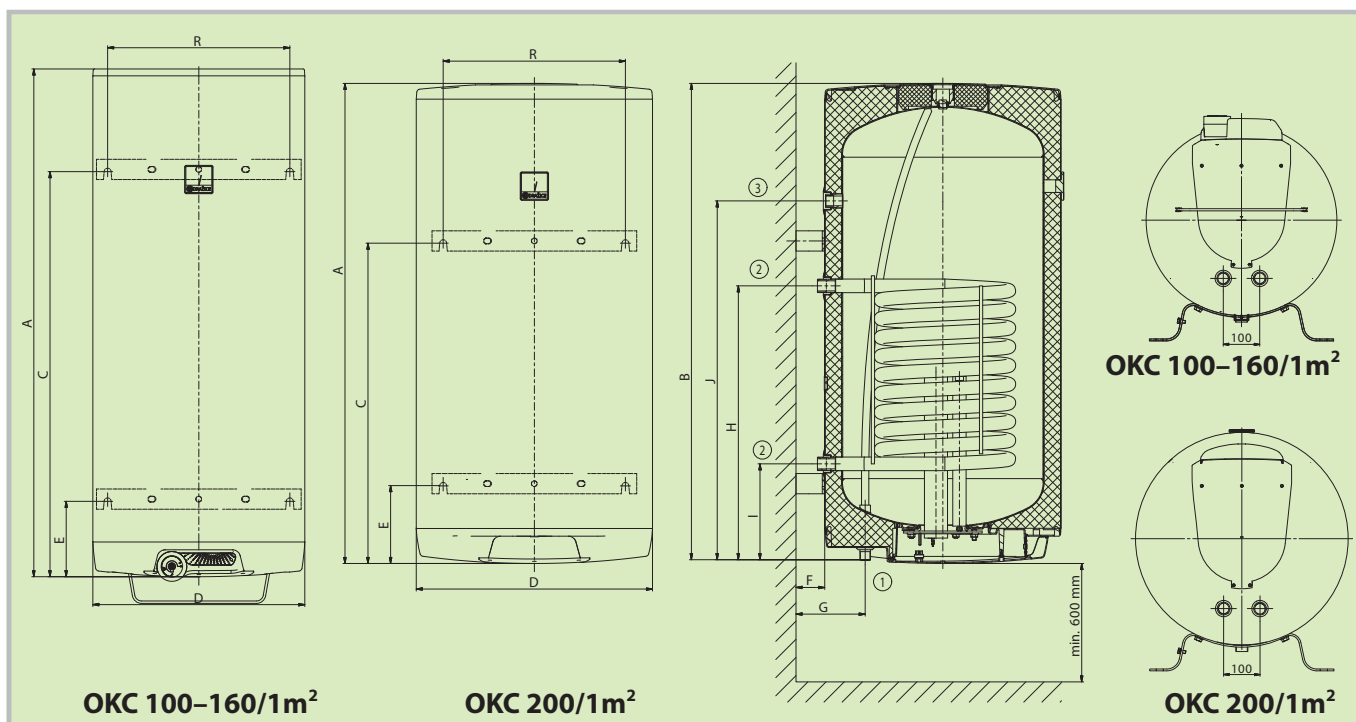
- Indirect heating version without electrical heating unit

Types of storage tanks		OKC 80 NTR/Z	OKC 100 NTR/Z	OKC 125 NTR/Z	OKC 160 NTR/Z	OKC 200 NTR/Z
Capacity	[l]	76	95	120	148	196
Dimension (Ø × h)	[mm]	524 × 757	524 × 902	524 × 1067	524 × 1255	584 × 1287
Weight of the empty water heater	[kg]	38	56	61	70	84
Heat transfer surface of the exchanger	[m ²]	0,41	1,08	1,08	1,08	1,08
Capacity of the exchanger	[l]	1,8	7,1	7,1	7,1	7,1
Power of the exchanger at the 720 l at 80 °C *	[kW]	9	24	24	24	24
Heating time by the exchanger from 10 °C to 60 °C	[min]	29	14	17	22	28
Energy efficiency class		B	B	C	C	C
Static loss	[W]	40	47	57	67	72

OKC

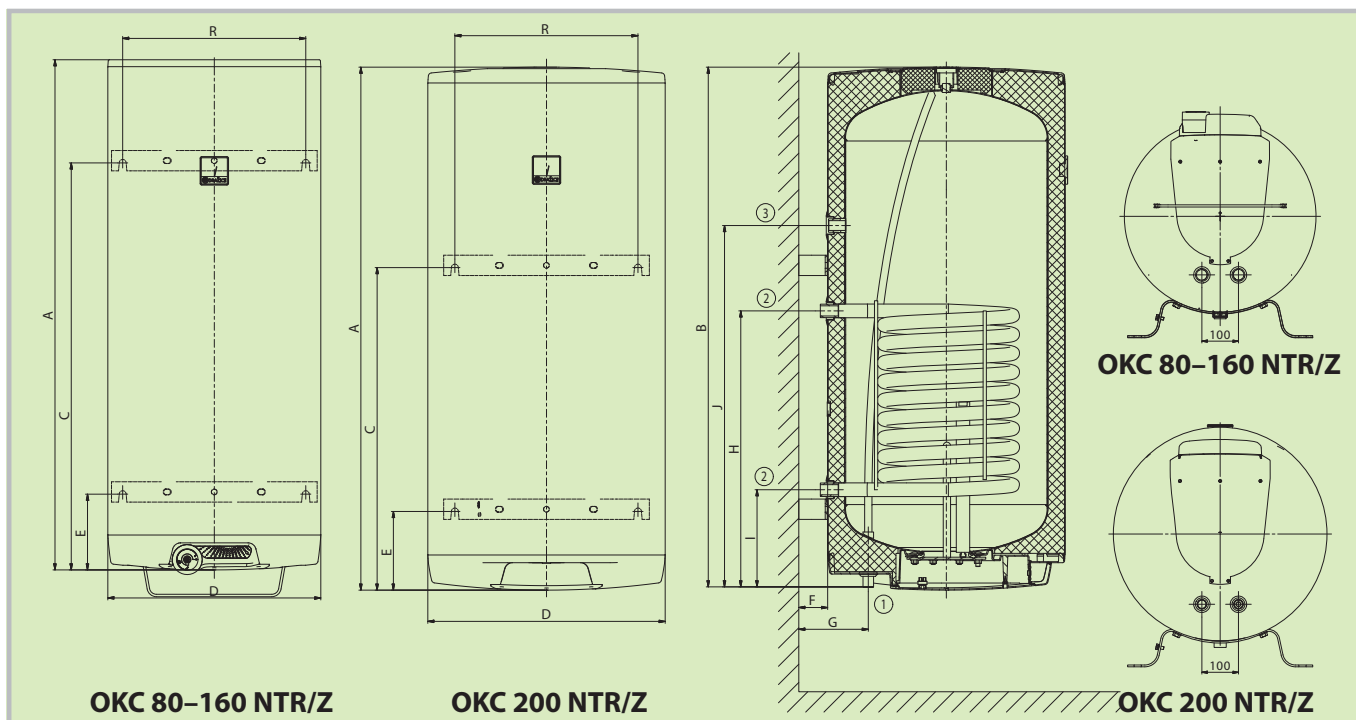


OKC/1 m²



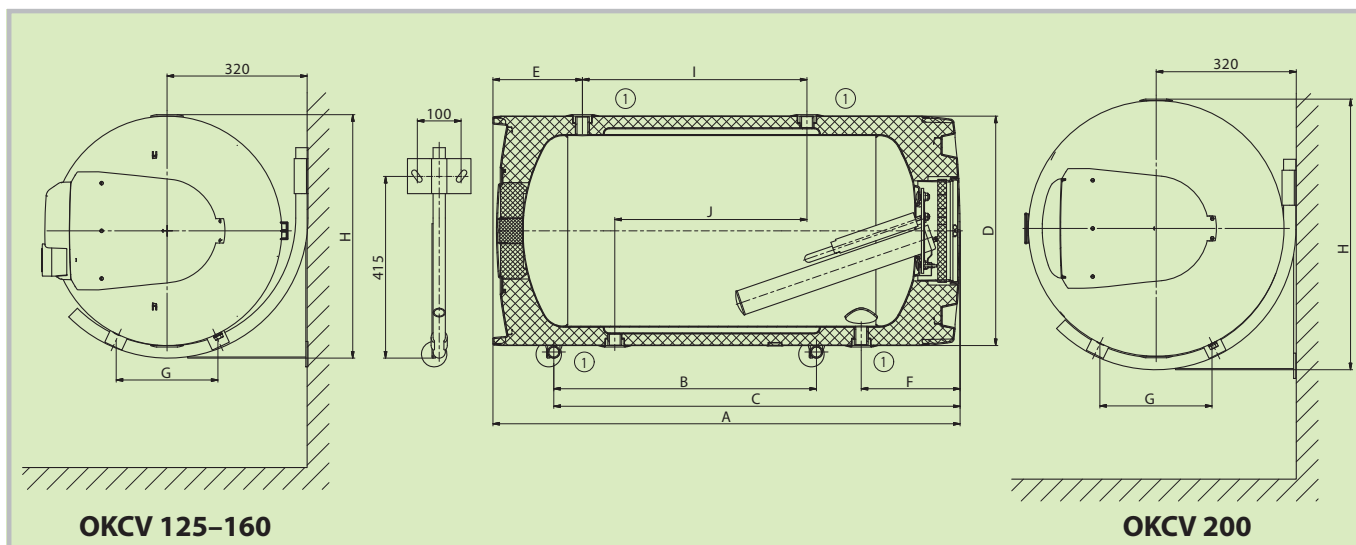
Dimensions [mm]	A	B	C	D	E	F	G	H	I	R
OKC 80	757	748	615	524	–	70	172	498	208	450
OKC 100	902	893	765	524	–	70	172	648	208	450
OKC 125	1067	1058	765	524	–	70	172	648	208	450
OKC 160	1255	1246	1001	524	281	70	172	648	208	450
OKC 200	1287	1278	794	584	195	70	172	676	238	450

OKC NTR/Z



Dimensions [mm]	A	B	C	D	E	F	G	H	I	J	R
OKC 80 NTR/Z	757	748	615	524	—	70	172	498	208	-	450
OKC 100 NTR/Z	902	893	765	524	—	70	172	648	208	438	450
OKC 125 NTR/Z	1067	1058	763	524	—	70	172	648	208	498	450
OKC 160 NTR/Z	1255	1246	1001	524	186	70	172	700	258	828	450
OKC 200 NTR/Z	1287	1277	795	584	195	70	172	678	238	888	450

OKCV



Dimensions [mm]	A	B	C	D	E	F	G	H	I	J
OKCV 125	1067	600	928	524	204	226	232	556	513	439
OKCV 160	1255	750	1060	524	254	226	232	556	649	439
OKCV 200	1287	600	936	584	258	246	256	618	670	439

OKCV

- Capacities of 125–200 l
- With a 2.2 kW electrical heating unit
- Suitable for solid fuel boilers
- Now with right-side and left-side versions



OKCV 125–160

OKCV 200

Types of storage tanks		OKCV 125	OKCV 160	OKCV 200
Capacity	[l]	125	152	200
Dimension (Ø × w)	[mm]	524 × 1067	524 × 1255	584 × 1287
Weight of the empty water heater	[kg]	59	67	81
Heating time from 10 °C to 60 °C	[h]	3,3	4,0	5,3
Heat transfer surface of the exchanger	[m ²]	0,7	0,7	0,75
Capacity of the exchanger	[l]	11	11	12
Power of the exchanger at the 310 l at 80 °C	[kW]	10	10	11
Heating time by the exchanger from 10 °C to 60 °C	[min]	43	53	72
Energy efficiency class		C		
Annual consumption	[kWh·a ⁻¹]	2614	2691	4324

The parameters compliant for all types of electrical heaters

Insulation thickness	[mm]	42
Thermal conductivity of the insulation	[W·m ⁻¹ ·K ⁻¹]	0,022
Power consumption of the electrical heating unit	[W]	2200
Electrical connection		1/N/PE ~ 230V/50Hz
Recommended circuit breaker	[A]	16
Degree of protection		IP44
Max. working temperature / overpressure in tank	[°C]/[bar]	90/6
Max. working temperature / overpressure in tank OKC	[°C]/[bar]	110/4
Max. working temperature / overpressure in tank OKCV	[°C]/[bar]	110/10

Note: * Value is determined by calculation

Contact: