

**threaded connectors made of gunmetal or silicon
bronze**

Submittal Package



table of contents

1	Product group description	3
2	Certificates	4
3	Z dimensions	5
4	Imprint	55

Product group description

Threaded connectors made of gunmetal or silicon bronze with bare or chrome-plated surface.

Marking

Manufacturer, pipe dimension, batch

Sealing elements

R-male thread knurled ex factory – no need to roughen before applying hemp.

Dimensions

1/8–4

Note

Threaded connectors made of gunmetal or silicon bronze are suitable for the creation of potable water installations according to DIN 1988-200 and EN 806-2 in consideration of the selection of material in accordance with DIN EN 12502-1 and according to the evaluation basis for metallic materials in contact with potable water of the Umweltbundesamt (UBA) (Federal Environment Agency). When used for other areas of use and when in doubt about the right selection of material, please contact Viega. The system components should be protected against high concentrations of chloride generated by both the medium and by external factors. Detailed information about applications, restrictions and national standards and directives can be found in the product information, either printed or on the Viega website.

Note – Standards and approvals

Threaded connectors made of gunmetal or silicon bronze in accordance with DIN EN 10226, Part 1, approved for potable water installations in accordance with DIN 1988 and gas installations in accordance with DVGW-TRGI 2018 (DVGW Worksheet G 600) (observe notes on the model), tested in accordance with DVGW Worksheet GW 6 and DIN 3523.

Threaded connector made of gunmetal or silicon bronze approval in accordance with DVGW-registration no. DV-7401AO2957.

Material press connector








Gunmetal: CC499K

silicon bronze: CC246E / CuSi4Zn9MnP

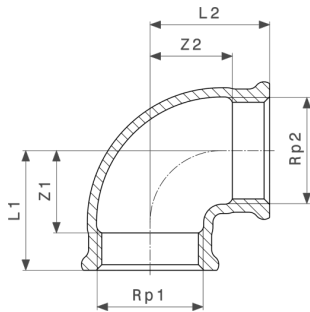
Subject to change without prior notice!

Latest Z- and installation dimensions as well as further technical information can be found on the Viega website and have to be checked before purchase, planning, construction work and use. Our products are continuously optimised.

Certificates

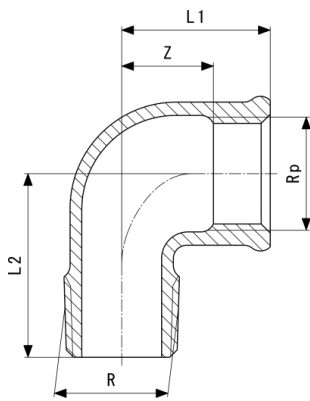
	<p>ÖVGW certificate bronze threaded fittings (3/8" - 3")</p>
	<p>ÜA sign Sanpress, Raxofix, Maxiplex, bronze threaded fittings, solder fittings</p>
	<p>ÜA sign Profipress, solder fittings, threaded fittings</p>
<p>RUE Stroy</p>	<p>RUE Stroytechnorm Certificate Profipress, Profipress G, Sanpress, Megapress, Megapress G, Megapress S, soldered fittings, gunmetal threaded fittings</p>
	<p>SVGW certificate tap extensions (3/8" - 3")</p>
	<p>SVGW certificate red brass threaded fittings (3/8" - 1")</p>
	<p>DVGW Baumusterprüfzertifikat Rotguß-Gewindeverbinder</p>
<p>EMI</p>	<p>EMI Certificate of Constancy of Performance Gunmetal threaded fittings</p>
	<p>ICIM Hygiene certificate Profipress, Profipress XL, Sanpress Inox, Sanpress Inox XL, Sanpress, Sanpress XL, Sanfix Fosta, Raxofix, Smartpress, gunmetal threaded fittings, soldered fittings</p>
<p>I.E.S.T. S.R.L.</p>	<p>I.E.S.T. Certificate Brass and bronze threaded fittings</p>
<p>I.E.S.T. S.R.L.</p>	<p>I.E.S.T. Certificate Brass and bronze threaded fittings</p>
	<p>OOO Profit Certificate Profipress G</p>

Z dimensions



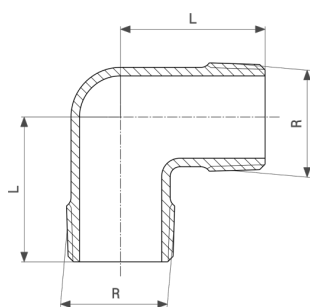
Elbow 90°
- gunmetal or silicon bronze
Model 3090

Article	Rp1	Rp2	Z1	Z2	L1	L2
441 074	1/8	1/8	15	15	23	23
317 959	1/4	1/4	7	7	18	18
281 717	3/8	3/8	12	12	24	24
269 272	1/2	1/2	15	15	30	30
320 676	1/2	3/8	9	14	24	26
269 258	3/4	3/4	13	13	30	30
320 669	3/4	1/2	11	15	27	30
269 234	1	1	18	18	38	38
320 683	1	3/4	14	20	33	36
269 210	1 1/4	1 1/4	29	29	50	50
269 197	1 1/2	1 1/2	33	33	54	54
269 296	2	2	37	37	63	63
321 796	2 1/2	2 1/2	42	42	72	72
650 698	3	3	49	49	82	82



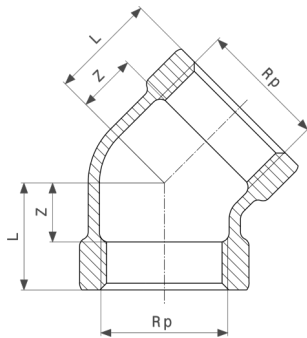
Elbow 90°
- gunmetal or silicon bronze
Model 3092

Article	R	Rp	Z	L1	L2
318 000	¼	¼	10	18	29
281 748	⅜	⅜	17	29	32
264 024	½	½	17	28	34
264 000	¾	¾	20	30	40
264 048	1	1	20	32	47
264 109	1¼	1¼	29	43	51
264 123	1½	1½	39	60	59
264 147	2	2	32	58	79
321 710	2½	2½	45	65	90
650 704	3	3	61	82	100



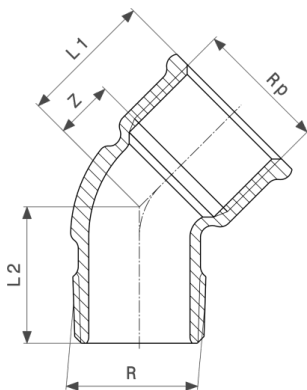
Elbow 90°
- gunmetal or silicon bronze
Model 3091

Article	R	L
317 966	⅜	29
317 973	½	32
317 980	¾	40
317 997	1	45



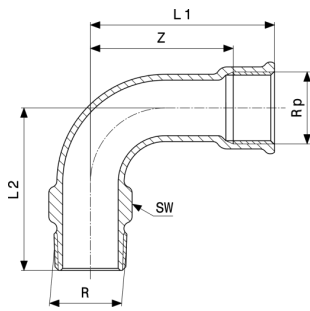
Elbow 45°
- gunmetal or silicon bronze
Model 3120

Article	Rp	Z	L
318 048	3/8	8	19
320 690	1/2	7	22
320 645	3/4	9	25
320 652	1	9	28
650 728	2	14	40



Elbow 45°
- gunmetal or silicon bronze
Model 3121

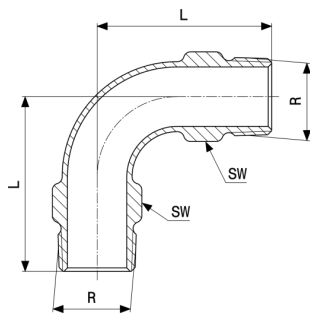
Article	R	Rp	Z	L1	L2
281 755	3/8	3/8	10	22	23
264 208	1/2	1/2	8	23	31
264 185	3/4	3/4	13	30	31
264 161	1	1	15	34	35
448 271	1 1/4	1 1/4	24	45	40
448 288	1 1/2	1 1/2	26	47	45
650 711	2	2	26	52	56



Elbow 90°
- gunmetal or silicon bronze
Model 3001

Article	R	Rp	Z	L1	L2	SW
294 571	1	1	66	85	75	36
294 595	1¼	1¼	84	105	95	44
294 618	1½	1½	84	105	105	51

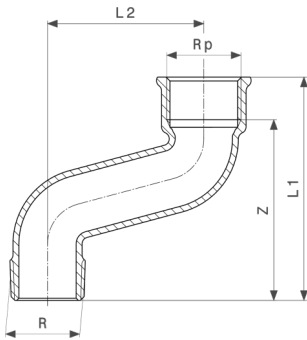
SW = Spanner width



Elbow 90°
- gunmetal or silicon bronze
Model 3003

Article	R	L	SW
294 632	1	75	36
294 656	1¼	95	44

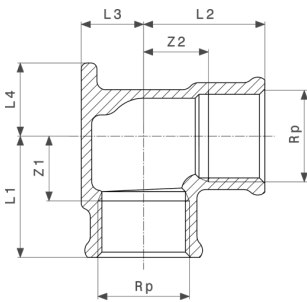
SW = Spanner width



S-elbow
- gunmetal or silicon bronze
Model 3004

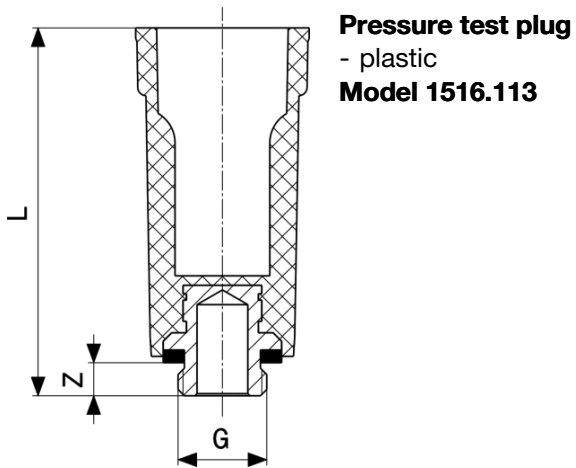
Article	R	Rp	Z	L1	L2
296 667	1	1	81	100	70
296 643*	1¼	1¼	94	115	80

* = Discontinued, limited availability

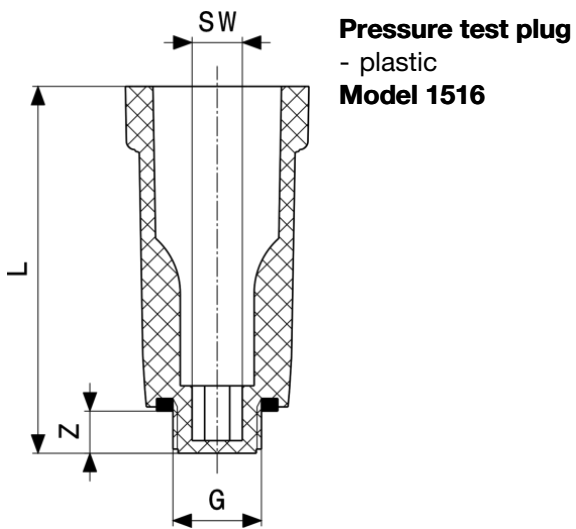


Wall plate
- gunmetal or silicon bronze
Model 3471

Article	Rp	Z1	Z2	L1	L2	L3	L4
259 778	½	21	16	36	31	14	21
441 449	¾	19	19	35	35	18	21

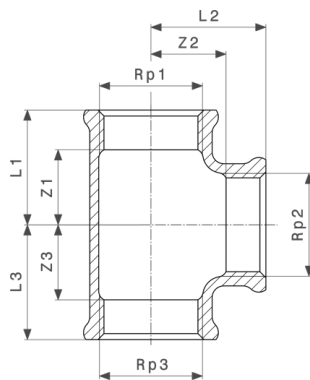


Article	G	Z	L
116 644	3/8	7	85
100 766	1/2	11	92
107 666	3/4	9	87



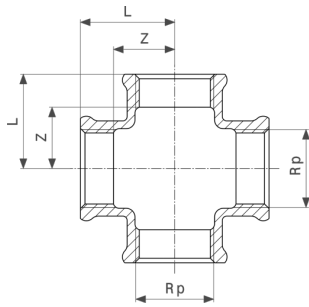
Article	G	Z	L	SW
107 796	3/8	10	87	8
100 124	1/2	10	87	10
102 746	3/4	13	90	14

SW = Spanner width



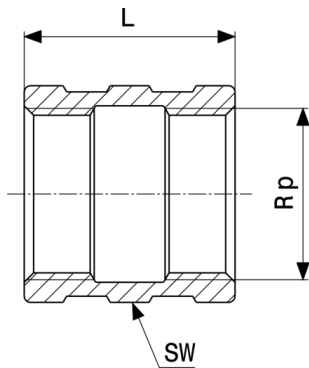
T-piece
- gunmetal or silicon bronze
Model 3130

Article	Rp1	Rp2	Rp3	Z1	Z2	Z3	L1	L2	L3
441 081	1/8	1/8	1/8	15	15	15	23	23	23
318 017	1/4	1/4	1/4	7	7	7	18	18	18
281 809	3/8	3/8	3/8	15	15	15	23	23	23
264 222	1/2	1/2	1/2	11	11	11	26	26	26
264 444	1/2	3/8	1/2	15	15	15	30	26	30
264 246	3/4	3/4	3/4	13	13	13	30	30	30
362 492	3/4	1/2	1/2	13	11	11	29	26	26
264 468	3/4	1/2	3/4	12	16	12	29	31	29
362 508	3/4	3/4	1/2	14	14	11	30	30	26
264 260	1	1	1	17	17	17	36	36	36
362 515	1	1/2	1	11	15	11	30	30	30
264 420	1	3/4	1	17	20	17	36	36	36
362 522	1	1	1/2	18	18	17	37	37	32
264 284	1 1/4	1 1/4	1 1/4	24	24	24	45	45	45
650 735	1 1/4	1/2	1 1/4	13	21	13	34	36	34
650 742	1 1/4	3/4	1 1/4	16	23	16	37	39	37
264 307	1 1/2	1 1/2	1 1/2	33	33	33	54	54	54
650 759	1 1/2	1/2	1 1/2	13	25	13	34	40	34
650 766	1 1/2	3/4	1 1/2	16	26	16	37	42	37
264 321	2	2	2	35	35	35	61	61	61
650 773	2	1	2	19	32	19	45	51	45
321 734	2 1/2	2 1/2	2 1/2	38	38	38	69	69	69
321 727	3	3	3	52	52	52	85	85	85



Cross piece
- gunmetal or silicon bronze
Model 3180

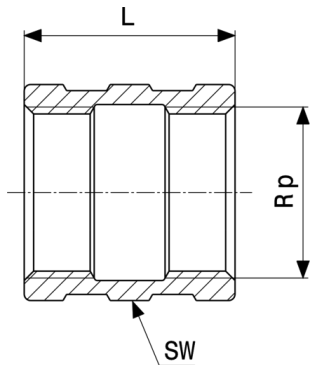
Article	Rp	Z	L
318 024	⅜	10	21
320 614	½	12	27
320 621	¾	16	32
320 638	1	19	38



Coupling
- gunmetal or silicon bronze
Model 3270

Article	Rp	CP	L	SW
441 395	⅜		16	14
319 137	¼		18	17
282 349	⅝		23	21
266 585	½		30	26
266 554	¾		33	32
266 561	1		38	38
266 578	1¼		43	50
267 766	1½		43	57
267 780	2		59	70
271 916	2½		61	83
271 930	3		67	103
447 755	⅝	✓	23	21

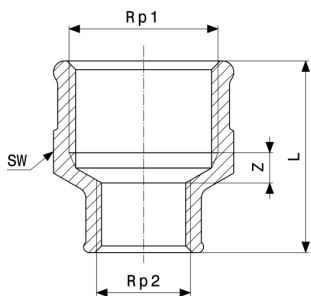
CP = Chrome-plated
SW = Spanner width



Coupling
- gunmetal or silicon bronze
Model 3270

Article	Rp	CP	L	SW
447 762	½	✓	30	26
447 779	¾	✓	33	32
447 786	1	✓	38	38

CP = Chrome-plated
SW = Spanner width

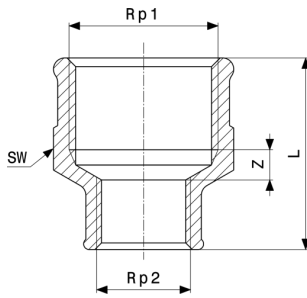


Reducing coupling
- gunmetal or silicon bronze
Model 3240

Article	Rp1	Rp2	CP	Z	L	SW
282 103	⅜	¼		3	26	21
318 031	½	¼		5	31	26
268 879	½	⅜		5	31	26
266 370	¾	⅜		5	34	31
268 862	¾	½		5	32	31
266 363	1	½		13	34	26
266 356	1	¾		7	36	38
266 431	1¼	¾		8	45	47
266 417	1¼	1		6	49	47
271 879	1½	¾		10	41	53
267 520	1½	1		8	48	53

CP = Chrome-plated
SW = Spanner width

* = Discontinued, limited availability



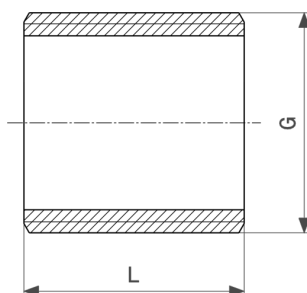
Reducing coupling
- gunmetal or silicon bronze
Model 3240

Article	Rp1	Rp2	CP	Z	L	SW
266 394	1½	1¼		5	47	53
271 893	2	1¼		2	50	66
267 544	2	1½		0	47	66
271 855	2½	2		16	58	83
650 780	3	2½		27	67	
447 809*	¾	¼	✓			
447 816	½	¾	✓	4	31	26
447 823	¾	½	✓	5	32	31
447 830	1	½	✓	13	34	26
447 847	1	¾	✓	7	36	38

CP = Chrome-plated

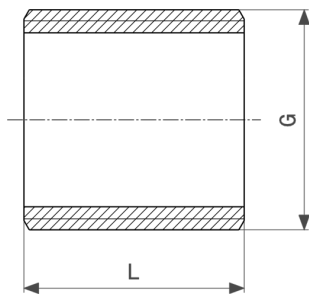
SW = Spanner width

* = Discontinued, limited availability



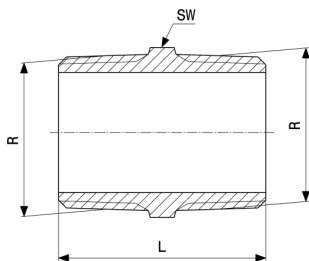
Nipple
- gunmetal or silicon bronze
Model 3531

Article	G	L
322 076	¼	20
322 113	¾	20
322 106	½	22
322 090	¾	26
322 083	1	33
322 144	1¼	37
322 137	1½	42



Nipple
- gunmetal or silicon bronze
Model 3531

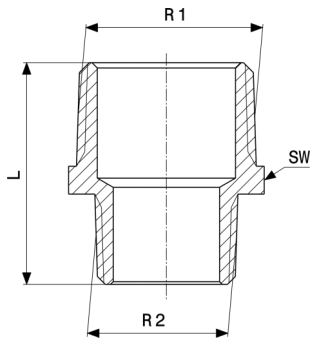
Article	G	L
322 120	2	47



Double nipple
- gunmetal or silicon bronze
Model 3280

Article	R	CP	L	SW
441 401	1/8		18	10
320 416	1/4		20	14
282 356	3/8		29	18
266 592	1/2		37	22
266 615	3/4		40	27
266 608	1		45	34
269 135	1 1/4		53	44
269 111	1 1/2		52	50
269 098	2		65	65
321 741	2 1/2		78	80
321 789	3		85	95
447 885	1/4	✓	20	14
447 892	3/8	✓	29	18
447 908	1/2	✓	37	22
447 915	3/4	✓	40	27
447 922	1	✓	45	34

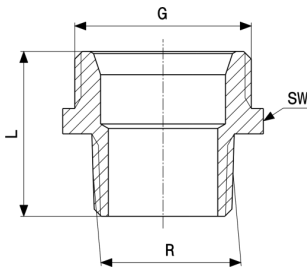
CP = Chrome-plated
SW = Spanner width



Reducing nipple
- gunmetal or silicon bronze
Model 3245

Article	R1	R2	L	SW
441 364	¼	⅙	24	14
282 127	⅝	¼	28	18
319 526	½	¼	31	22
266 530	½	⅜	32	22
319 113	¾	⅜	34	27
266 523	¾	½	37	27
320 287	1	½	40	34
266 547	1	¾	42	34
320 119	1¼	¾	46	44
269 173	1¼	1	49	44
321 697	1½	1	52	50
269 159	1½	1¼	54	50
441 371	1¾	1½	47	55
320 270	2	1¼	58	61
321 680	2	1½	59	61
650 803	2½	2	70	76
443 177	3	2½	77	90

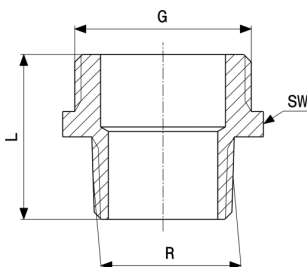
SW = Spanner width



Adapter nipple
- gunmetal or silicon bronze
Model 3246

Article	R	G	CP	L	SW
441 517	3/8	1/2		25	22
449 339	1/2	1/2		30	22
441 524	1/2	3/4		21	27
449 346	3/4	3/4		33	28
446 765	1/2	1		33	34
441 531	3/4	1		35	34
446 772	1	1		39	34
446 789	1	1 1/4		39	44
446 796	1 1/4	1 1/2		45	50
446 802	1 1/2	1 3/4		47	55
441 388	2	2 3/8		54	71
448 219	3/8	1/2	✓	25	22
448 226	1/2	3/4	✓	21	27
448 233	1/2	1	✓	33	34
448 257	1	1 1/4	✓	39	44

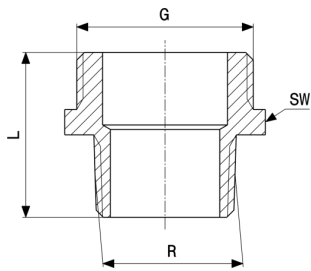
CP = Chrome-plated
SW = Spanner width



Adapter nipple
- gunmetal or silicon bronze
Model 3247

Article	R	G	CP	L	SW
458 775	1/8	1/4		20	14
458 782	1/4	3/8		24	18

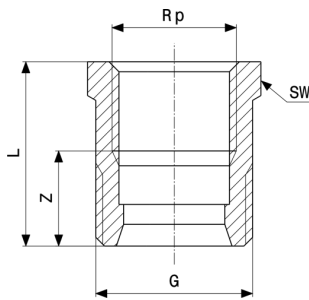
CP = Chrome-plated
SW = Spanner width



Adapter nipple
- gunmetal or silicon bronze
Model 3247

Article	R	G	CP	L	SW
458 799	¼	½		25	22
458 805	⅜	½		24	27
458 812	⅜	¾		28	27
446 833	½	¾		31	27
458 829	½	1		30	34
446 840	¾	1		35	34
458 836	¾	1¼		37	44
446 857	1	1¼		36	44
458 843	1	1½		43	50
446 864	1¼	1½		45	50
458 850	1½	2		48	68
458 867	¼	⅜	✓		
458 874	⅜	½	✓	24	18
458 881	⅜	¾	✓	28	27
448 189	½	¾	✓	31	27
448 196	¾	1	✓	35	34

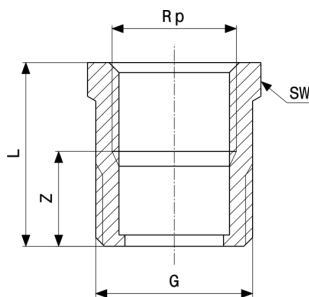
CP = Chrome-plated
SW = Spanner width



Adapter nipple
- gunmetal or silicon bronze
Model 3243

Article	G	Rp	WIC	Z	L	SW
441 487	3/8	1/4	✓	11	22	18
446 666	1/2	3/8	✓	12	23	22
441 494	3/4	1/2	✓	16	31	27
446 673	1	3/4	✓	16	33	34
449 315	1	1	✓	21	41	40
446 680	1 1/4	1	✓	15	34	43
446 697	1 1/2	1 1/4	✓	18	39	50

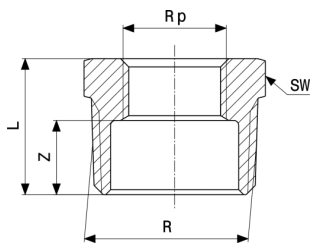
WIC = with internal cone
SW = Spanner width



Adapter nipple
- gunmetal or silicon bronze
Model 3244

Article	G	Rp	CP	Z	L	SW
446 734	3/4	1/2		14	29	27
446 741	1	3/4		16	33	34
446 758	1 1/4	1		15	34	43
448 264	3/4	1/2	✓	14	29	27

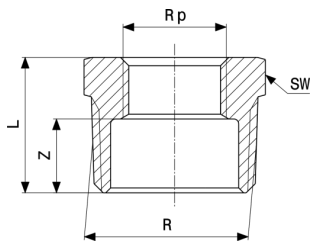
CP = Chrome-plated
SW = Spanner width



Reducer
- gunmetal or silicon bronze
Model 3241

Article	R	Rp	CP	Z	L	SW
441 104	¼	⅙		9	17	14
441 111	⅜	⅙		10	17	18
281 823	⅜	¼		6	17	18
441 098	½	⅙		14	21	22
319 076	½	¼		11	22	22
266 516	½	⅝		10	22	22
320 409	¾	¼		12	23	27
266 509	¾	⅝		12	23	27
266 493	¾	½		8	23	27
266 455	1	⅝		16	27	34
266 486	1	½		13	28	34
266 479	1	¾		11	28	34
267 582	1¼	½		16	31	43
267 568	1¼	¾		15	31	44
266 462	1¼	1		12	31	44
267 742	1½	½		17	32	50
267 728	1½	¾		15	31	50
267 605	1½	1		12	31	50
267 704	1½	1¼		10	31	50
317 089	2	½		21	36	62
267 681	2	¾		20	36	62
267 667	2	1		18	37	61
267 643	2	1¼		15	37	61
267 629	2	1½		15	37	61
321 772	2½	1		26	45	80
321 765	2½	1¼		20	41	78
321 864	2½	1½		20	41	78
322 533	2½	2		16	41	78

CP = Chrome-plated
SW = Spanner width



Reducer

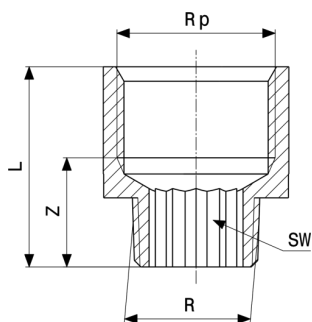
- gunmetal or silicon bronze

Model 3241

Article	R	Rp	CP	Z	L	SW
321 840	3	1½		31	52	60
321 857	3	2		28	54	72
321 871	3	2½		20	50	95
321 888	4	3		23	56	13
447 946	¼	⅙	✓	10	17	14
447 953	⅝	⅙	✓	10	17	18
447 960	⅝	¼	✓	10	17	18
447 977	½	⅙	✓	13	22	22
447 984	½	¼	✓	13	22	22
447 991	½	⅝	✓	13	22	22
448 011	¾	⅝	✓	15	23	27
448 028	¾	½	✓	15	23	27
448 042	1	½	✓	17	28	34
448 059	1	¾	✓	17	28	34
448 073	1¼	1	✓	19	31	44

CP = Chrome-plated

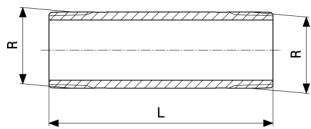
SW = Spanner width



Reducer
- gunmetal or silicon bronze
Model 3242

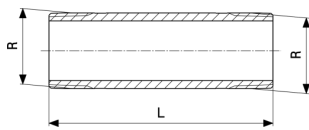
Article	R	Rp	CP	Z	L	SW
441 128	1/8	1/4		14	25	6
441 135	1/8	3/8		15	26	6
322 540	1/4	3/8		15	27	
322 564	3/8	1/2		17	32	10
322 557	3/8	3/4		19	35	10
319 083	1/2	3/8		17	28	10
320 423	1/2	3/4		21	37	12
320 430	1/2	1		19	39	
650 889	1/2	1 1/4		31	52	
441 142	3/4	1/2		25	40	
335 311	3/4	1		23	42	
441 357	3/4	1 1/4		31	52	
650 841	3/4	1 1/2		32	53	
359 348	1	1 1/4		27	48	
650 858	1	1 1/2		33	54	
650 872	1	2		34	60	
650 865	1 1/4	1 1/2		33	54	
448 097	1/8	1/4	✓	14	25	6
448 103	1/8	3/8	✓	15	26	6
448 110	1/4	3/8	✓	15	27	
448 127	3/8	1/2	✓	17	32	10
448 134	3/8	3/4	✓	19	35	10
448 141	1/2	3/8	✓	17	28	10
448 158	1/2	3/4	✓	21	37	12
448 165	3/4	1/2	✓	25	40	
448 172	3/4	1	✓	23	42	

CP = Chrome-plated
SW = Spanner width



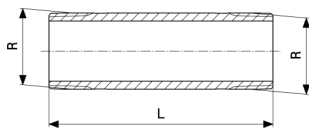
Long nipple
- gunmetal or silicon bronze
Model 3530

Article	R	L
441 456	¼	40
441 463	¼	60
441 470	¼	80
441 555	¼	100
282 400	⅜	40
282 417	⅜	60
282 424	⅜	80
282 431	⅜	100
282 448	⅜	120
282 455	⅜	150
282 462	⅜	200
267 308	½	40
650 896	½	50
267 315	½	60
449 216	½	70
267 322	½	80
650 919	½	90
267 339	½	100
650 926	½	110
267 346	½	120
319 700	½	140
267 353	½	150
319 717	½	160
319 724	½	180
267 377	½	200
267 384	¾	40
650 933	¾	50
267 391	¾	60
650 940	¾	70
267 407	¾	80
650 957	¾	90
267 414	¾	100



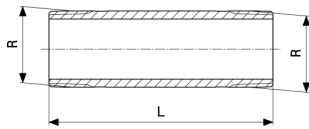
Long nipple
- gunmetal or silicon bronze
Model 3530

Article	R	L
650 964	¾	110
267 421	¾	120
318 413	¾	140
267 438	¾	150
318 420	¾	160
318 437	¾	180
267 445	¾	200
267 247	1	40
650 971	1	50
267 254	1	60
650 988	1	70
267 261	1	80
650 995	1	90
267 278	1	100
651 008	1	110
267 285	1	120
267 292	1	150
319 694	1	200
651 015	1¼	50
318 482	1¼	60
651 022	1¼	70
318 499	1¼	80
651 039	1¼	90
318 505	1¼	100
651 046	1¼	110
318 512	1¼	120
318 529	1¼	150
318 536	1¼	200
651 053	1½	50
319 755	1½	60
651 060	1½	70
319 762	1½	80



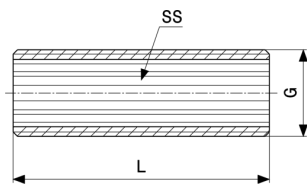
Long nipple
- gunmetal or silicon bronze
Model 3530

Article	R	L
651 077	1½	90
319 779	1½	100
319 786	1½	120
319 748	1½	150
319 731	1½	200
651 084	2	50
319 847	2	60
651 091	2	70
319 830	2	80
651 107	2	90
319 823	2	100
319 816	2	120
319 809	2	150
319 793	2	200
447 465	¾	40
447 472	¾	60
447 489	¾	80
447 496	¾	100
447 526	½	40
447 533	½	60
447 540	½	80
447 557	½	100
447 564	½	120
447 571	½	150
447 588	½	200
447 595	¾	40
447 601	¾	60
447 618	¾	80
447 625	¾	100
447 632	¾	120
447 649	¾	150
447 656	¾	200



Long nipple
- gunmetal or silicon bronze
Model 3530

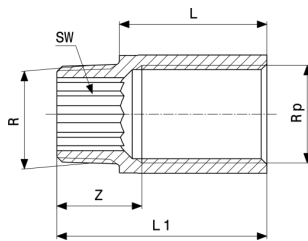
Article	R	L
447 663	1	40
447 687	1	80
447 694	1	100
447 700	1	120



Long nipple
- gunmetal or silicon bronze
Model 3535

Article	G	L	SW
319 670	$\frac{3}{8}$	40	10
319 267	$\frac{3}{8}$	60	10
319 335	$\frac{3}{8}$	80	10
319 281	$\frac{3}{8}$	100	10
319 687	$\frac{3}{8}$	120	10
319 274	$\frac{1}{2}$	40	12
319 366	$\frac{1}{2}$	60	12
319 359	$\frac{1}{2}$	80	12
319 342	$\frac{1}{2}$	100	12
319 656	$\frac{1}{2}$	120	12
319 328	$\frac{3}{4}$	40	17
319 298	$\frac{3}{4}$	60	17
319 304	$\frac{3}{4}$	80	17
319 311	$\frac{3}{4}$	100	17
319 663	$\frac{3}{4}$	120	17
319 250	1	40	22
319 243	1	60	22
319 236	1	80	22
319 229	1	100	22
319 649	1	120	22

SW = Spanner width



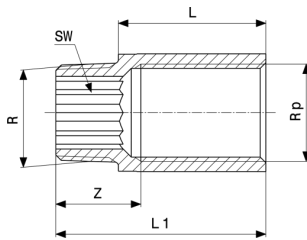
Extension
- gunmetal or silicon bronze
Model 3525

Article	R	Rp	L	RpS	Z	L1	SW
440 312¹	3/8	3/8	10		16	22	10
354 923	3/8	3/8	15		16	27	10
354 930	3/8	3/8	20		18	32	10
354 947	3/8	3/8	25		18	37	10
354 954	3/8	3/8	30		18	42	10
359 539	3/8	3/8	40		17	52	10
359 553	3/8	3/8	50	✓	17	62	10
364 854¹	1/2	1/2	12.5		19	28	12
651 121¹	1/2	1/2	15		19	31	12
354 961	1/2	1/2	17.5		18	33	12
354 978	1/2	1/2	20		21	36	12
354 985	1/2	1/2	25		22	41	12
354 992	1/2	1/2	30		22	46	12
355 005	1/2	1/2	40		22	56	12
355 012	1/2	1/2	50	✓	21	66	12
357 221	1/2	1/2	65	✓	21	81	12
357 238	1/2	1/2	80	✓	29	96	12
357 245	1/2	1/2	100	✓	61	116	12
440 299	1/2	1/2	120		71	136	12
440 305	1/2	1/2	150		101	166	12
440 558¹	3/4	3/4	12.5		21	30	17
364 861¹	3/4	3/4	15		20	32	17
355 029	3/4	3/4	20		21	37	17
355 036	3/4	3/4	25		26	42	17
355 043	3/4	3/4	30		23	47	17
355 050	3/4	3/4	40		23	57	17
357 252	3/4	3/4	50	✓	22	67	17
357 269	3/4	3/4	65	✓	22	82	17

RpS = Cuttable Rp-thread

SW = Spanner width

¹⁾ without DVGW test mark



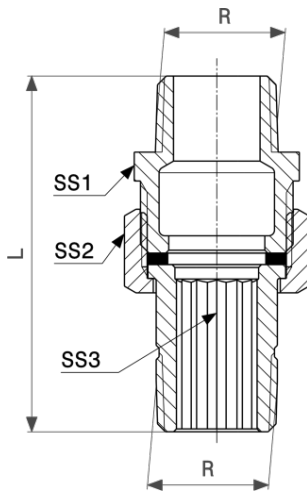
Extension
- gunmetal or silicon bronze
Model 3525

Article	R	Rp	L	RpS	Z	L1	SW
359 584	¾	¾	80	✓	37	97	17
359 577	¾	¾	100	✓	62	117	17
440 572 ¹	1	1	15		25	35	22
440 589 ¹	1	1	20		25	40	22
357 184	1	1	25		25	45	22
357 191	1	1	30		30	50	22
357 207	1	1	40		23	60	22
357 214	1	1	50		25	70	22
440 596	1	1	65		25	85	22
440 466	1	1	80		40	100	22
440 473	1	1	100		55	120	22
440 497 ¹	1¼	1¼	20		27	42	27
440 503	1¼	1¼	25		27	47	27
440 510	1¼	1¼	30		27	52	27
440 527	1¼	1¼	40		41	62	27
440 534	1¼	1¼	50		51	72	27

RpS = Cuttable Rp-thread

SW = Spanner width

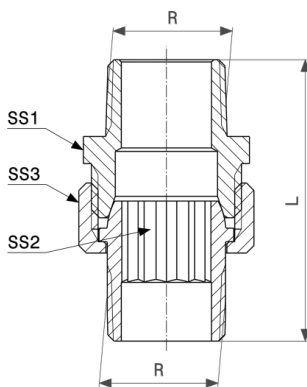
¹⁾ without DVGW test mark



Screw fitting
- gunmetal or silicon bronze
Model 3334

Article	R	L	SW1	SW2	SW3
320 188	$\frac{3}{8}$	51	27	23	
320 195	$\frac{1}{2}$	62	27	29	12
320 201	$\frac{3}{4}$	68	34	36	17
320 218	1	74	44	46	22

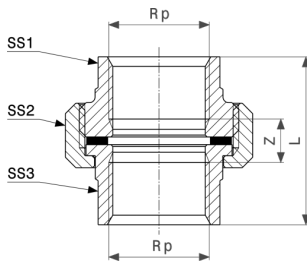
SW = Spanner width



Screw fitting
- gunmetal or silicon bronze
Model 3344

Article	R	L	SW1	SW2	SW3
446 871	$\frac{3}{8}$	46	22	23	8
446 888	$\frac{1}{2}$	55	27	29	12
446 895	$\frac{3}{4}$	62	34	36	17
446 901	1	69	44	46	22

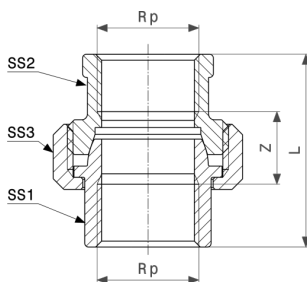
SW = Spanner width



Screw fitting
- gunmetal or silicon bronze
Model 3330

Article	Rp	Z	L	SW1	SW2	SW3
441 432	¼	13	35	20	29	20
282 363	⅝	12	35	20	29	21
271 022	½	11	41	25	36	25
271 039	¾	11	44	32	46	32
271 046	1	13	51	39	52	39
271 053	1¼	13	56	48	65	47
271 060	1½	15	58	53	75	55
271 077	2	13	64	66	80	66
651 138	2½	11	71	83	110	83
651 145	3	5	71	98	130	98

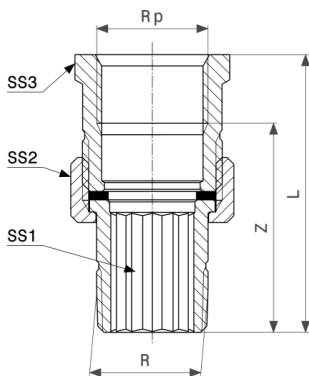
SW = Spanner width



Screw fitting
- gunmetal or silicon bronze
Model 3340

Article	Rp	Z	L	SW1	SW2	SW3
449 414	¼	16	38			23
446 925	⅝	17	40			29
446 932	½	17	47			36
446 949	¾	17	50			46
446 956	1	21	60	37	37	52
446 963	1¼	22	65	47	47	65
446 970	1½	25	68	55	55	75
446 987	2	23	74	66	68	80

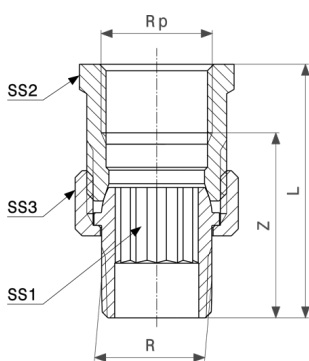
SW = Spanner width



Screw fitting
- gunmetal or silicon bronze
Model 3331

Article	R	Rp	Z	L	SW1	SW2	SW3
282 370	3/8	3/8	38	50	13	23	22
271 374	1/2	1/2	45	60	12	29	27
271 367	3/4	3/4	50	66	17	36	34
271 350	1	1	52	72	22	46	44
271 343	1 1/4	1 1/4	60	81	38	52	50
271 336	1 1/2	1 1/2	62	84	43	59	56
271 329	2	2	58	84	58	75	67
651 152	2 1/2	2 1/2	66	88	83	95	71
651 169	3	3	80	101	83	110	97

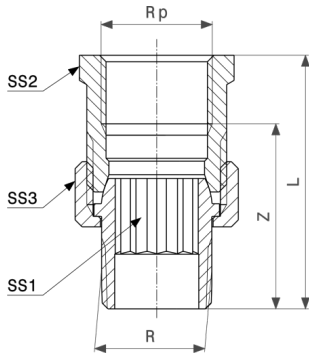
SW = Spanner width



Screw fitting
- gunmetal or silicon bronze
Model 3341

Article	R	Rp	Z	L	SW1	SW2	SW3
446 994	3/8	3/8	33	45	8	22	23
447 007	1/2	1/2	41	56	12	27	29
447 014	3/4	3/4	44	60	17	34	36
447 021	1	1	45	64	22	44	46
447 038	1 1/4	1 1/4	51	72		50	52
447 045	1 1/2	1 1/2	52	73		55	59

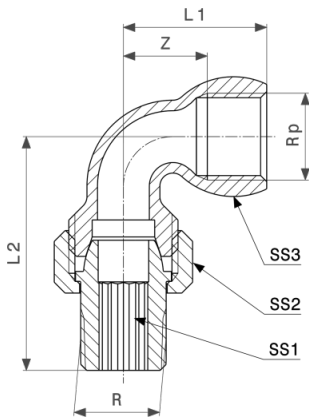
SW = Spanner width



Screw fitting
- gunmetal or silicon bronze
Model 3341

Article	R	Rp	Z	L	SW1	SW2	SW3
447 052	2	2	53	78		70	75

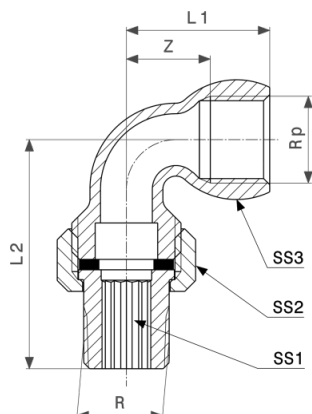
SW = Spanner width



Screw fitting
- gunmetal or silicon bronze
Model 3098

Article	R	Rp	Z	L1	L2	SW1	SW2	SW3
148 041	3/8	3/8	16	28	45	8	23	22
145 804	1/2	1/2	18	33	51	12	29	28

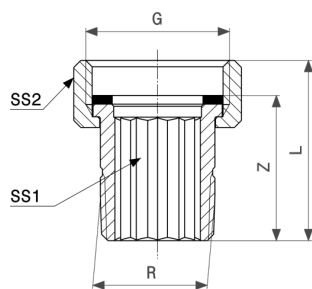
SW = Spanner width



Screw fitting
- gunmetal or silicon bronze
Model 3088

Article	R	Rp	Z	L1	L2	SW1	SW2	SW3
348 663	½	½	17	28	58	12	28	29
348 670	¾	¾	23	39	65	17	33	36
348 687	1	1	28	47	78	22	39	46
348 694	1¼	1¼	35	57	83	38	47	52
348 700	1½	1½	38	59	95	43	55	59
348 717	2	2	43	69	112	58	69	75

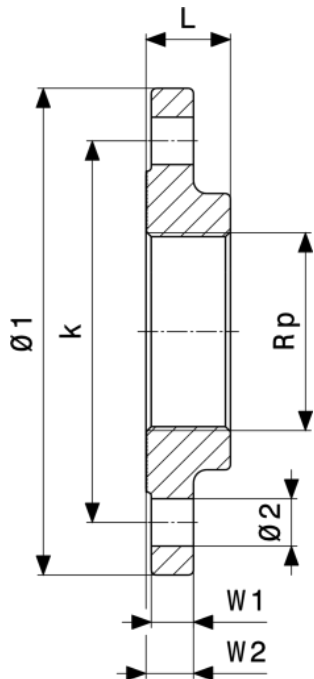
SW = Spanner width



Connection screw fitting
- gunmetal or silicon bronze
Model 3335

Article	R	Z	L	SW1	SW2	G
320 225	¾	27	32	8	23	½
320 232	½	31	39	22	29	¾
320 249	¾	34	42	17	36	1
320 256	1	38	46	22	46	1¼
319 618	1¼	43	52	38	52	1½
319 625	1½	46	56	43	59	1¾
319 632	2	52	62	58	75	2¾

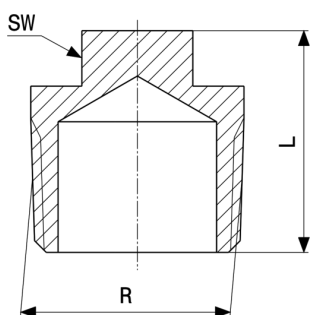
SW = Spanner width



Sanpress XL flange
 - gunmetal or silicon bronze
Model 2259.2XL

Article	DN	Rp	Ø1	L	W1	W2	Ø2	k	n
641 597	65	2½	185	32	16	18	18	145	8
641 603	80	3	200	34	18	20	18	160	8
641 610	100	4	220	38	18	20	18	180	8

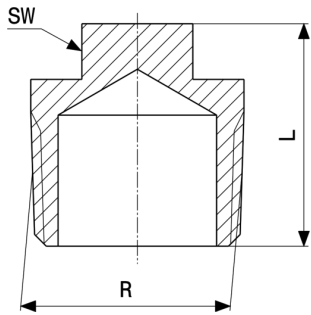
k = Bolt circle Ø
 n = Number of drill holes



Plug
 - gunmetal or silicon bronze
Model 3291

Article	R	L	SW
320 072	¼	19	8
281 847	⅜	20	10
266 646	½	26	12
266 639	¾	28	14
266 622	1	32	14
268 237	1¼	38	21

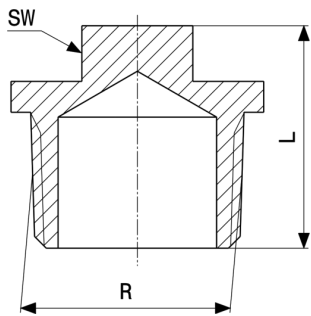
SW = Spanner width



Plug
- gunmetal or silicon bronze
Model 3291

Article	R	L	SW
268 190	1½	38	22
268 213	2	42	26
321 758	2½	47	30

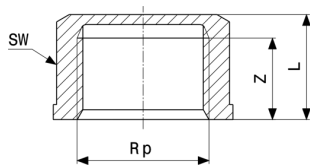
SW = Spanner width



Plug
- gunmetal or silicon bronze
Model 3290

Article	R	L	SW
441 425	⅛	17	8
320 133	¼	20	8
320 096	⅜	20	10
320 102	½	24	12
320 089	¾	26	14
320 294	1	32	14
322 175	1¼	38	21
322 168	1½	38	32
322 151	2	42	26

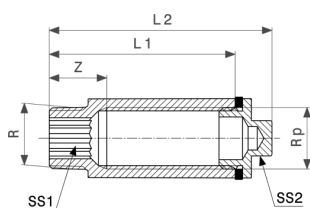
SW = Spanner width



Cap
- gunmetal or silicon bronze
Model 3301

Article	Rp	Z	L	SW
319 151	¼	8	12	20
281 854	⅜	11	16	22
266 660	½	15	20	24
266 653	¾	16	21	30
268 367	1	19	29	38
268 305	1¼	21	30	47
268 329	1½	21	30	53
268 343	2	26	34	65

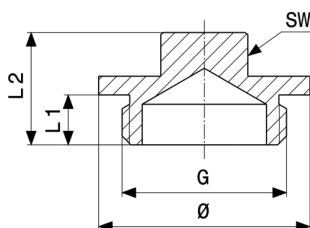
SW = Spanner width



Tap extension
- gunmetal or silicon bronze
Model 3527

Article	R	Rp	L	RpS	Z	L1	L2	SW1	SW2
320 263	½	½	50	✓	18	63	76	12	12

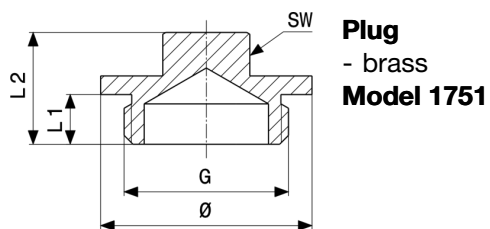
RpS = Cuttable Rp-thread
SW = Spanner width



Plug
- brass
Model 1751

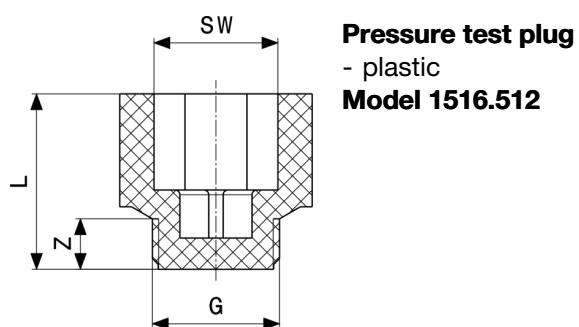
Article	G	L1	L2	SW	Ø
106 676	⅙	6	13	9	13
102 173	¼	7	13	9	16
101 756	⅜	8	16	12	21

SW = Spanner width



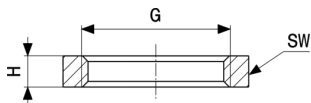
Article	G	L1	L2	SW	Ø
100 797	½	8	18	12	27
101 626	¾	8	18	14	34
102 883	1	9	18	17	41
106 584	1½	13	24	22	60
155 735	⅜	6	13	9	13
137 649	¼	7	13	9	16
108 472	⅝	8	16	12	21
105 099	½	8	18	12	27
113 797	¾	8	18	14	34
124 465	1	9	18	17	41

SW = Spanner width



Article	G	Z	L	SW
105 419	½	11	37	22

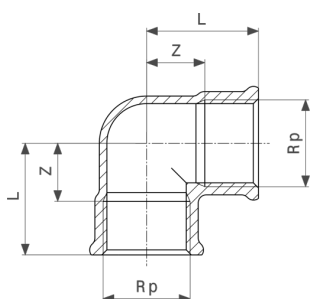
SW = Spanner width



Hexagonal nut
- brass
Model 1911

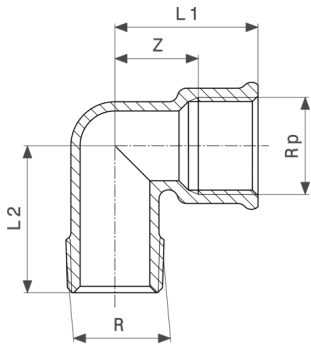
Article	G	H	SW
117 290	1/8	5	19
109 264	1/4	5	22
104 696	3/8	5	25
102 241	1/2	6	28
103 347	3/4	6	33
106 195	1	6	41
113 391	1 1/4	6	51
120 115	1 1/2	6	58
128 302	2	6	70
140 083	1/4	5	22
108 144	3/8	5	25
108 670	1/2	6	28
117 313	3/4	6	33
139 162	1	6	41
134 945	2	6	70

SW = Spanner width



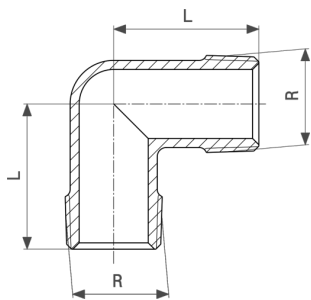
Elbow 90°
- brass
Model 1612

Article	Rp	Z	L
112 639	3/8	10	22
105 600	1/2	15	30
112 141	3/4	18	34
124 397	1	20	39



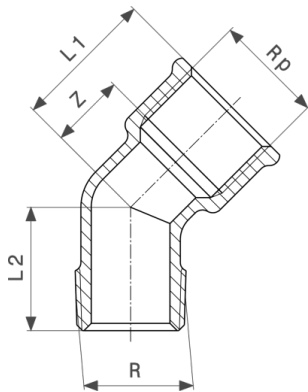
Elbow 90°
- brass
Model 1613

Article	R	Rp	Z	L1	L2
135 935	¼	¼	15	26	26
106 645	⅜	⅜	17	29	32
102 586	½	½	20	35	34
107 758	¾	¾	23	39	40
121 457	1	1	27	46	45



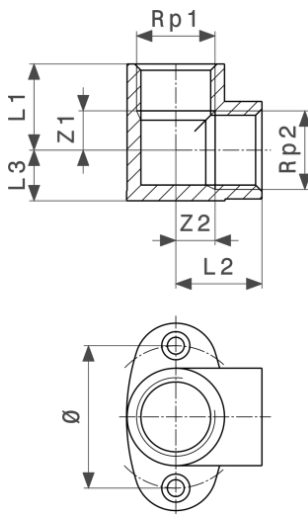
Elbow 90°
- brass
Model 1611

Article	R	L
125 059	⅜	28
110 680	½	32
131 586	¾	36



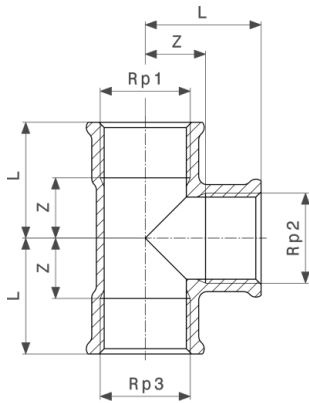
Elbow 45°
- brass
Model 1615

Article	R	Rp	Z	L1	L2
139 001	3/8	3/8	9	21	23
115 555	1/2	1/2	8	23	31



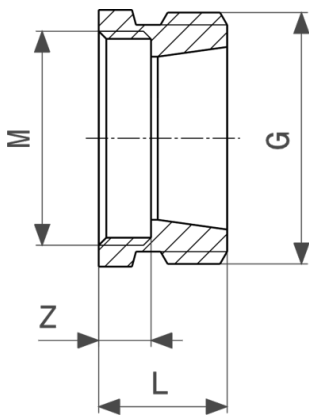
Wall plate
- brass
Model 1421

Article	Rp1	Rp2	Z1	Z2	L1	L2	L3	Ø
109 158	1/2	1/2	8	8	20	20	14	38
113 209	1/2	3/8	14	14	27	27	17	43
127 800	3/4	3/4	8	8	20	20	14	38



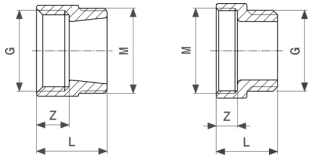
T-piece
- brass
Model 1622

Article	Rp1	Rp2	Rp3	Z	L
114 275	3/8	3/8	3/8	10	22
105 525	1/2	1/2	1/2	15	30
111 762	3/4	3/4	3/4	18	34
130 190	1	1	1	20	39



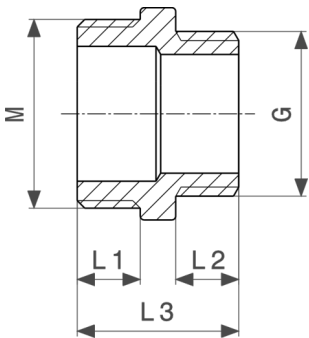
Adapter nipple
- gunmetal or silicon bronze
Model 3251

Article	G	M	Z	L
448 295	3/4a	22x1i	6	14



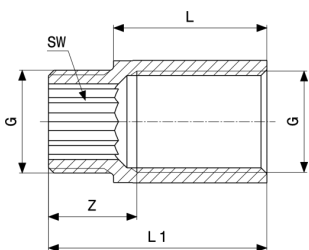
Adapter nipple
- gunmetal or silicon bronze
Model 3252

Article	G	M	Z	L
448 318	½a	22x1i	6	18
448 332	½i	22x1a	9	18
448 325	¾i	22x1a	10	20



Adapter nipple
- gunmetal or silicon bronze
Model 3253

Article	G	M	L1	L2	L3
448 356	½a	24x1a	8	8	21
448 349	¾a	24x1a	8	9	22

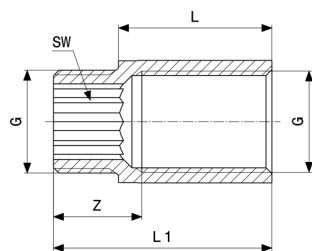


Tap extension
- gunmetal or silicon bronze
Model 3526

Article	G	L	Z	L1	SW
448 769	¾	10	13	20	10
447 076¹	¾	15	15	25	10
447 083¹	¾	20	18	30	10
447 090¹	¾	25	23	35	10
447 106¹	¾	30	28	40	10

SW = Spanner width

¹⁾ long female thread

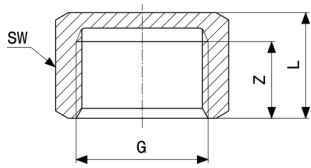


Tap extension
- gunmetal or silicon bronze
Model 3526

Article	G	L	Z	L1	SW
447 113 ¹	3/8	40	38	50	10
447 120 ¹	3/8	50	16	60	10
447 151 ¹	1/2	10	14	21	12
447 168 ¹	1/2	15	16	26	12
447 175 ¹	1/2	20	18	31	12
447 182 ¹	1/2	25	17	36	12
447 199 ¹	1/2	30	18	41	12
447 205 ¹	1/2	40	18	51	12
447 212 ¹	1/2	50	18	61	12
447 229 ¹	1/2	65	18	76	12
447 236 ¹	1/2	80	24	91	12
447 243 ¹	1/2	100	56	111	12
447 274 ¹	3/4	10	15	22	17
447 281 ¹	3/4	15	17	27	17
447 298 ¹	3/4	20	17	32	17
447 304 ¹	3/4	25	19	37	17
447 311 ¹	3/4	30	19	42	17
447 328 ¹	3/4	40	19	52	17
447 335 ¹	3/4	50	18	62	17
447 342 ¹	3/4	65	18	77	17
447 359 ¹	3/4	80	19	92	17
447 366 ¹	3/4	100	20	112	17
447 380	1	20	20	34	17
447 403	1	30	22	44	17

SW = Spanner width

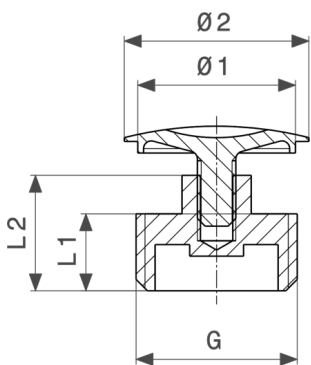
¹) long female thread



Cap
- brass
Model 1761

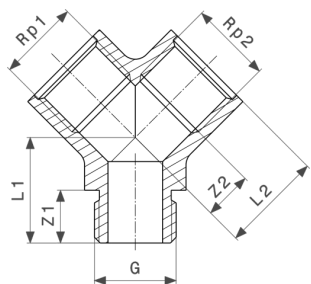
Article	G	Z	L	SW
107 741	⅜	7	10	19
107 734	½	8	12	23
106 782	¾	10	16	30
120 092	1	11	16	37

SW = Spanner width



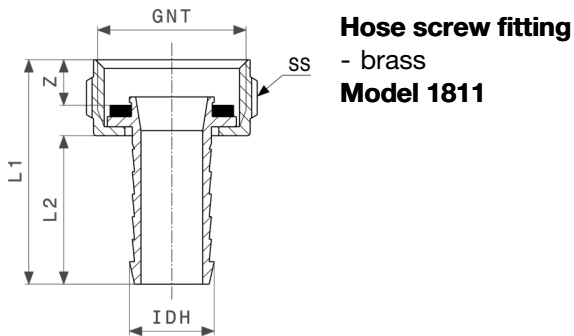
Plug
- brass
Model 1752

Article	G	L1	L2	Ø1	Ø2
110 123	⅜	10	15	21	24
102 814	½	10	15	21	24
112 592	¾	15	22	21	24



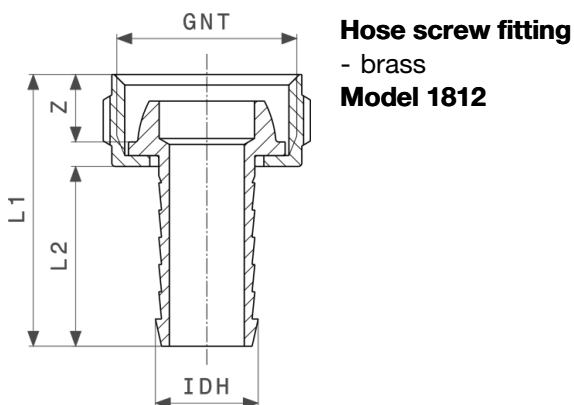
Double connection piece
- brass
Model 1641

Article	Rp1	G	Rp2	Z1	Z2	L1	L2
106 881	½	½	½	14	13	27	26



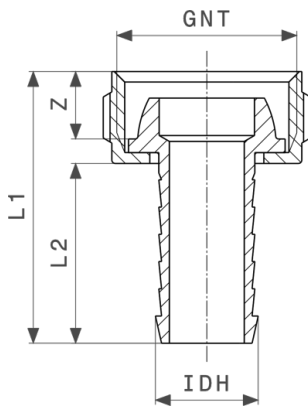
Article	IDH	GNT	Z	L1	L2	SW
123 505	3/8	1/2	6	39	27	
105 327	1/2	3/4	8	40	26	
116 026¹	3/4	1	9	50	35	
142 483¹	1	1 1/4	9	46	29	46
109 318	3/8	1/2	6	39	27	
101 473	1/2	3/4	8	40	26	
104 276¹	3/4	1	9	50	35	
112 325¹	1	1 1/4	9	46	29	46
127 909¹	1 1/4	1 1/2	9	65	47	52
151 638¹	1 1/2	1 3/4	10	71	51	59

IDH = for ID hose
GNT = G-nut thread
SW = Spanner width
¹⁾ multi-sided nut



Article	IDH	GNT	Z	L1	L2
117 696	1/2	3/4	10	40	26
129 323	3/8	1/2	9	39	27

IDH = for ID hose
GNT = G-nut thread


Hose screw fitting

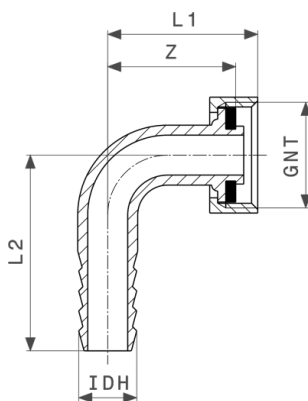
- brass

Model 1812

Article	IDH	GNT	Z	L1	L2
109 073	½	¾	10	40	26
111 793	¾	1	12	52	36

IDH = for ID hose

GNT = G-nut thread


Hose screw fitting

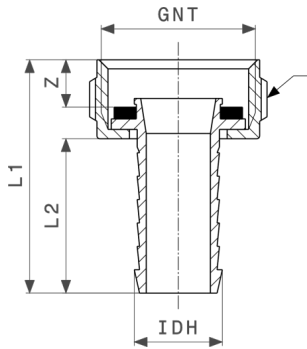
- brass

Model 1813

Article	IDH	GNT	Z	L1	L2
107 949	½	¾	32	38	49
126 360	¾	1	40	47	58

IDH = for ID hose

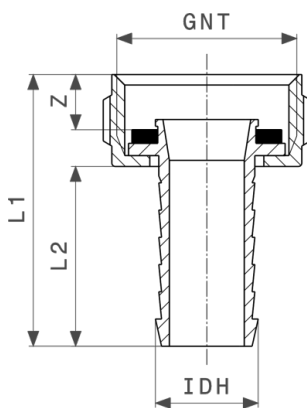
GNT = G-nut thread



Hose screw fitting
- brass
Model 1814

Article	IDH	GNT	Z	L1	L2
124 779	3/8	3/4	8	42	29
124 755¹	1/2	1	9	44	29
113 322	3/8	3/4	8	42	29
110 642¹	1/2	1	9	44	29
129 798¹	3/4	1 1/4	9	53	36

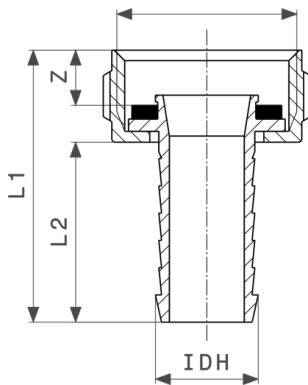
IDH = for ID hose
GNT = G-nut thread
1) multi-sided nut



Hose screw fitting
- brass
Model 1817

Article	IDH	GNT	Z	L1	L2
121 723	1/2	1/2	6	41	29
131 807	3/4	3/4	7	51	37
111 717	1/2	1/2	6	41	29
114 008	3/4	3/4	7	51	37
124 694	1	1	8	52	37

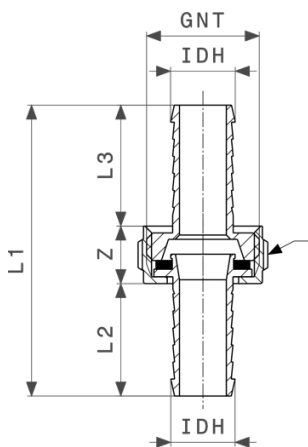
IDH = for ID hose
GNT = G-nut thread



Hose screw fitting
- brass
Model 1819

Article	IDH	M	Z	L1	L2
106 843	½	22x1a	3	36	28

IDH = for ID hose



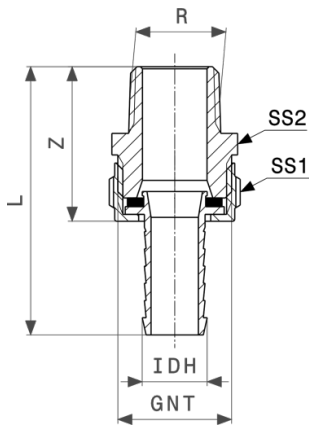
Hose screw fitting
- brass
Model 1821

Article	IDH	GNT	Z	L1	L2	L3
137 533	¾	½	14	71	27	30
113 384	½	¾	14	68	26	28
120 023 ¹⁾	¾	1	16	87	35	37

IDH = for ID hose

GNT = G-nut thread

¹⁾ multi-sided nut



Standpipe screw fitting
- brass
Model 1831

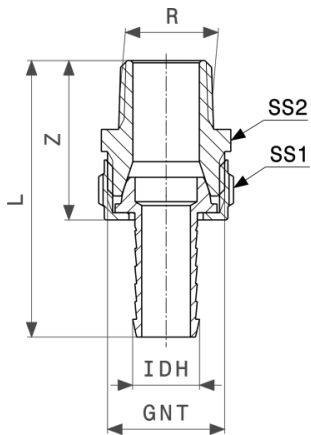
Article	R	IDH	GNT	Z	L	SW1	SW2
124 878	$\frac{3}{8}$	$\frac{3}{8}$	$\frac{1}{2}$	32	59		22
105 648	$\frac{1}{2}$	$\frac{1}{2}$	$\frac{3}{4}$	36	62		27
109 707¹	$\frac{3}{4}$	$\frac{3}{4}$	1	42	76		34
112 318¹	1	1	$1\frac{1}{4}$	47	77	46	44
123 642¹	$1\frac{1}{4}$	$1\frac{1}{4}$	$1\frac{1}{2}$	54	101	52	50
128 739¹	$1\frac{1}{2}$	$1\frac{1}{2}$	$1\frac{3}{4}$	57	108	55	59
138 653¹	2	2	$2\frac{3}{8}$	66	118	75	71

IDH = for ID hose

GNT = G-nut thread

SW = Spanner width

¹⁾ multi-sided nut



Standpipe screw fitting
- brass
Model 1832

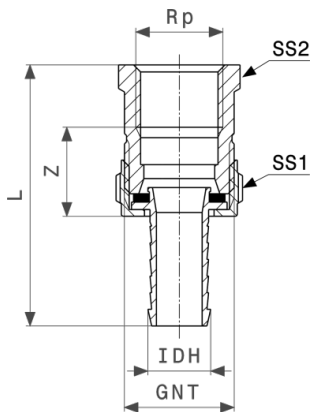
Article	R	IDH	GNT	Z	L	SW1	SW2
122 416	3/8	3/8	1/2	30	57		22
104 498	1/2	1/2	3/4	36	63		27
108 816	3/4	3/4	1	41	77		34
110 734¹	1	1	1 1/4	47	83	46	44
119 454¹	1 1/4	1 1/4	1 1/2	53	100	52	50
125 219¹	1 1/2	1 1/2	1 3/4	58	110	59	55
131 432¹	2	2	2 3/8	68	120	75	71

IDH = for ID hose

GNT = G-nut thread

SW = Spanner width

¹⁾ multi-sided nut



Standpipe screw fitting
- brass
Model 1841

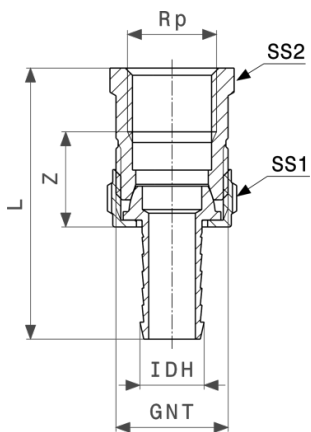
Article	Rp	IDH	GNT	Z	L	SW1	SW2
145 026	3/8	3/8	1/2	18	57		22
119 690	1/2	1/2	3/4	21	63		27
126 568¹	3/4	3/4	1	23	74		34
130 121¹	1	1	1 1/4	23	72	46	44
150 761¹	1 1/4	1 1/4	1 1/2	26	95	52	50

IDH = for ID hose

GNT = G-nut thread

SW = Spanner width

¹⁾ multi-sided nut



Standpipe screw fitting
- brass
Model 1842

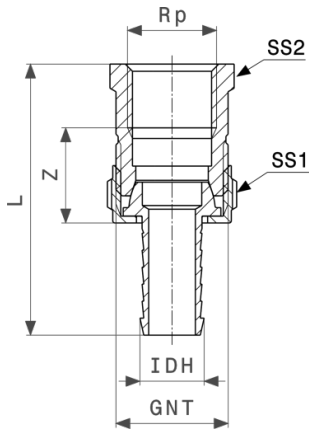
Article	Rp	IDH	GNT	Z	L	SW1	SW2
145 699	3/8	3/8	1/2	17	55		22
121 013	1/2	1/2	3/4	22	64		27
125 646¹	3/4	3/4	1	23	75		34
127 916¹	1	1	1 1/4	23	77	46	44

IDH = for ID hose

GNT = G-nut thread

SW = Spanner width

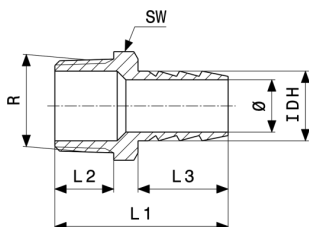
¹⁾ multi-sided nut



Standpipe screw fitting
- brass
Model 1842

Article	Rp	IDH	GNT	Z	L	SW1	SW2
151 232¹	1¼	1¼	1½	26	94	52	50
154 325¹	1½	1½	1¾	26	98	59	55

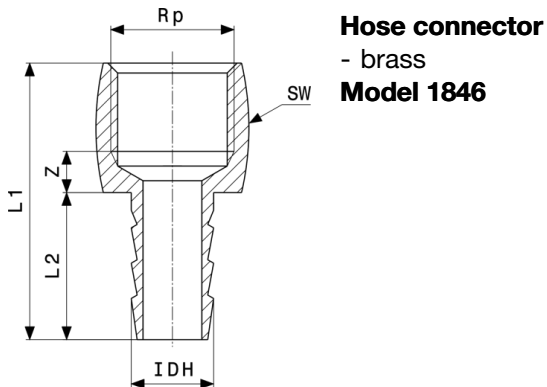
IDH = for ID hose
GNT = G-nut thread
SW = Spanner width
1) multi-sided nut



Hose connector
- brass
Model 1845

Article	R	IDH	L1	L2	L3	Ø	SW
140 540	¼	¼	35	8	25	8	
131 067¹	⅜	⅜	37	12	21	12	17
120 702¹	½	½	47	16	25	14	22
137 212¹	¾	¾	50	17	26	20	27
112 097	⅛	⅛	35	8	21	8	
110 598	¼	¼	35	8	25	8	
105 112¹	⅜	⅜	37	12	21	12	17
101 442	½	½	47	16	25	14	22
102 548¹	¾	¾	50	17	26	20	27
104 467¹	1	1	57	20	30	27	34

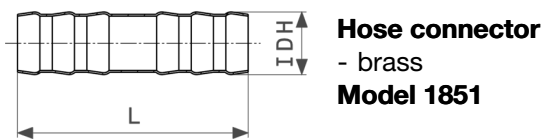
IDH = for ID hose
SW = Spanner width
1) with polygon



Hose connector
- brass
Model 1846

Article	Rp	IDH	Z	L1	L2	SW
125 431	¼	¼	4	40	25	
135 393¹	⅜	⅜	6	39	21	20
136 185¹	½	½	7	47	25	24
145 781¹	¾	¾	8	50	26	30
129 606	⅙	⅙	3	36	25	
130 084	¼	¼	4	40	25	
112 479¹	⅜	⅜	6	39	21	20
105 679	½	½	7	47	25	24
111 106¹	¾	¾	8	50	26	30
118 105¹	1	1	8	58	30	37

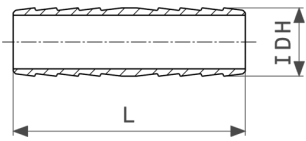
IDH = for ID hose
SW = Spanner width
1) with polygon



Hose connector
- brass
Model 1851

Article	IDH	L
109 875*	½	50
124 298*	1	60

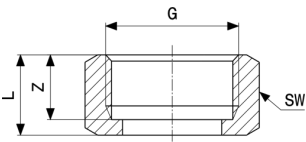
IDH = for ID hose
* = Discontinued, limited availability



Hose connector
- brass
Model 1852

Article	IDH	L
124 007	3/8	52
110 925	1/2	48
108 632	3/4	55
130 701	1	62

IDH = for ID hose



Union nut
- brass
Model 1121-654

Article	G	d	Z	L	SW
110 208	1/2	16.7	10	12	23
107 895	3/4	22	12	15	29
105 709	1	26.8	13	16	36
103 811	1 1/4	33.8	14	17	46
115 531	1 1/2	42.4	15	18	52
119 492	2	50.5	19	22	65

SW = Spanner width

Imprint

Viega GmbH & Co. KG

Viega Platz 1

57439 Attendorn

Germany

Phone: +49/2722/61-0

Fax: +49/2722/61-1566

The Viega GmbH & Co. KG is represented by the general partners: Viega Management B.V. (Managing directors: Michael Klenz, Sebastian Lelgemann) and Viega Management GmbH (Managing directors: Michael Klenz, Sebastian Lelgemann)

The Submittal Package contains non-binding information that is being provided to you. All contents in the Submittal Package have been compiled with the greatest possible care and attention. Despite this, we are unable to guarantee that the information is up to date, accurate and complete. Placing an order does not automatically render the Submittal Package part of the contract.