

**soldered fittings**

Submittal Package



# table of contents

1	Product group description	3
2	Certificates	4
3	Z dimensions	6
4	Imprint	44

# Product group description

Soldered fittings made of gunmetal and copper for copper pipes.

## Marking

Manufacturer, pipe dimension, batch, approval markings (DVGW), quality seal RAL-GZ 641/3 (for d12–54)



## Dimensions

d6–108.0

## Note – Standards and approvals

Gunmetal connectors in accordance with DVGW Worksheet GW 6.

Copper connectors in accordance with DVGW Worksheet GW 8 suitable for copper pipes in accordance with DVGW Worksheet GW 392.

BHKS and ZVSHK liability transfer agreements for copper and gunmetal connectors, as well as wall lead-ins made of gunmetal.

Gunmetal connectors approval in accordance with DVGW-registration no. DV-7401AO2956.

Copper connectors approval in accordance with DVGW-registration no. DV-7411AO2955.

The angle models 95090 and 95092 are not approved for use in gas and potable water installations.

## Material press connector




Copper: 99.9 % Cu-DHP



gunmetal: CC499K

## Subject to change without prior notice!

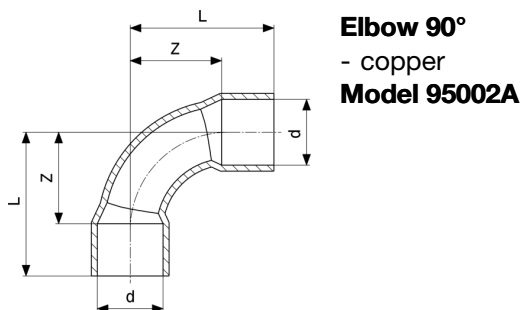
Latest Z- and installation dimensions as well as further technical information can be found on the Viega website and have to be checked before purchase, planning, construction work and use. Our products are continuously optimised.

# Certificates

	<p><b>ÜA sign</b> Sanpress, Raxofix, Maxiplex, bronze threaded fittings, solder fittings</p>
	<p><b>ÜA sign</b> Profipress, solder fittings, threaded fittings</p>
<p>RUE Stroy</p>	<p><b>RUE Stroytechnorm Certificate</b> Profipress, Profipress G, Sanpress, Megapress, Megapress G, Megapress S, soldered fittings, gunmetal threaded fittings</p>
	<p><b>DVGW Baumusterprüfzertifikat</b> Löt fittings (d 12 - 54)</p>
	<p><b>DVGW Baumusterprüfzertifikat</b> Löt fittings (d 12 - 54)</p>
	<p><b>DVGW Baumusterprüfzertifikat</b> Weichlötflussmittel</p>
	<p><b>AFNOR Certificate NF</b> Soldered fittings</p>
<p>KIWA</p>	<p><b>KIWA UK REGULATION 4 Approval</b> Soldered fittings</p>
	<p><b>WRAS Certificate</b> Soldered fittings</p>
	<p><b>ICIM Hygiene certificate</b> Profipress, Profipress XL, Sanpress Inox, Sanpress Inox XL, Sanpress, Sanpress XL, Sanfix Fosta, Raxofix, Smartpress, gunmetal threaded fittings, soldered fittings</p>
	<p><b>Gastec Certificate</b> Soldered fittings</p>

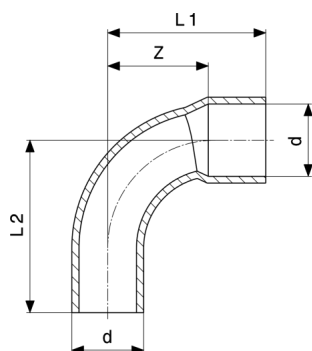
	<p><b>Gastec Certificate</b> Soldered fittings (Hydrogen gas)</p>
	<p><b>KIWA Product certificate</b> Soldered fittings</p>
<p>IZV</p>	<p><b>IZV Certificate</b> Soldered fittings</p>

## Z dimensions



Article	Cu	d	Z	L
122 645		6	8	14
109 288		8	10	17
102 494		10	14	22
100 513	✓	12	14	23
100 018	✓	15	18	29
100 148	✓	18	21	34
100 063	✓	22	26	42
100 193	✓	28	33	52
101 046	✓	35	42	65
102 777	✓	42	50	77
104 115	✓	54	65	97
119 829		64	83	116
125 080		76.1	100	134
127 077		88.9	112	150
138 431		108	177	225

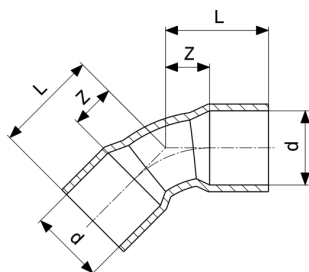
Cu = Quality seal for d12-54



**Elbow 90°**  
- copper  
**Model 95001A**

Article	Cu	d	Z	L1	L2
117 184		8	10	17	18
105 136		10	14	22	24
101 510	✓	12	14	23	25
100 155	✓	15	18	29	31
100 575	✓	18	22	35	37
100 391	✓	22	26	42	43
100 827	✓	28	34	53	55
103 415	✓	35	42	65	67
108 052	✓	42	50	77	79
112 028	✓	54	65	97	98
594 350		64	76	109	111
634 254		76.1	92	125	128
634 261		88.9	107	145	148

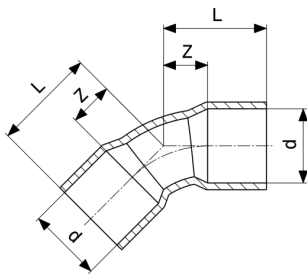
Cu = Quality seal for d12-54



**Elbow 45°**  
- copper  
**Model 95041**

Article	Cu	d	Z	L
110 420		10	6	14
103 309	✓	12	5	14
100 483	✓	15	6	17
101 077	✓	18	8	21

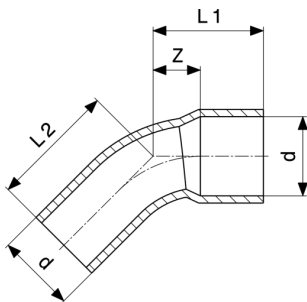
Cu = Quality seal for d12-54



**Elbow 45°**  
- copper  
**Model 95041**

Article	Cu	d	Z	L
100 704	✓	22	9	25
101 459	✓	28	12	31
104 016	✓	35	15	38
108 823	✓	42	17	44
112 196	✓	54	22	54
138 394		64	37	70
144 043		76.1	33	67
144 425		88.9	40	78
158 071		108	62	110

Cu = Quality seal for d12-54



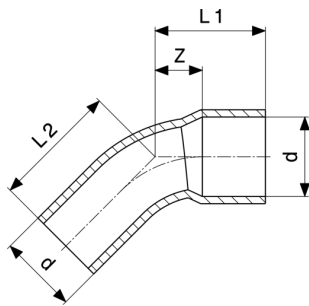
**Elbow 45°**  
- copper  
**Model 95040**

Article	Cu	d	Z	L1	L2
109 325		10	6	14	16
103 019	✓	12	5	15	16
100 292	✓	15	6	17	19
100 773	✓	18	8	21	22
100 605	✓	22	9	25	27
101 336	✓	28	12	31	33
104 955	✓	35	15	38	40
110 338	✓	42	17	44	46

Cu = Quality seal for d12-54

\* = Discontinued, limited availability



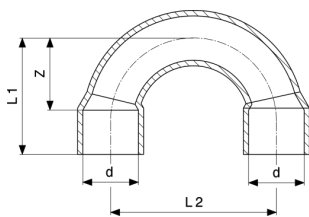


**Elbow 45°**  
- copper  
**Model 95040**

Article	Cu	d	Z	L1	L2
<b>114 916</b>	✓	54	22	54	56
<b>594 244</b>		64	32	64	66
<b>633 837</b>		76.1	38	71	74
<b>633 844*</b>		88.9	44	82	85

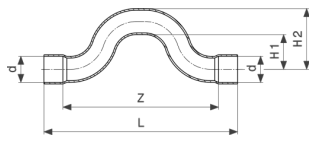
Cu = Quality seal for d12-54

\* = Discontinued, limited availability



**Elbow 180°**  
- copper  
**Model 95060**

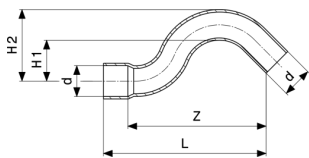
Article	d	Z	L1	L2
<b>117 542</b>	10	17	25	30
<b>121 785</b>	12	17	26	34
<b>115 951</b>	15	23	34	45
<b>113 445</b>	18	26	39	52
<b>121 518</b>	22	32	48	66
<b>128 029</b>	28	41	60	84



**Crossover**  
- copper  
**Model 95085**

Article	Cu	d	Z	L	H1	H2
102 159	✓	15	90	112	20	35
104 672	✓	18	102	128	20	38
103 798	✓	22	115	147	23	45

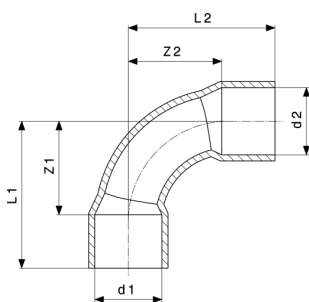
Cu = Quality seal for d12-54



**Crossover**  
- copper  
**Model 95086**

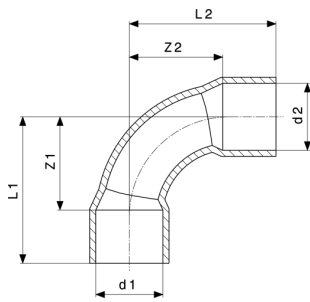
Article	Cu	d	Z	L	H1	H2
107 864	✓	12	66	76	20	32
102 012	✓	15	68	80	20	35
104 481	✓	18	73	87	20	38
105 396	✓	22	87	104	23	45

Cu = Quality seal for d12-54



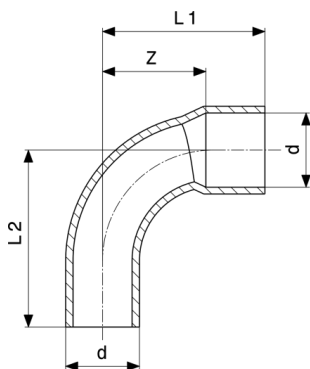
**Elbow 90°**  
- copper  
**Model 95090**

Article	d1	d2	Z1	Z2	L1	L2
107 901	8	8	7	7	14	14
103 132	10	10	14	14	22	22
100 803	12	12	12	12	21	21
116 897	15	12	15	21	26	30
100 094	15	15	10	10	21	21
100 452	18	18	12	12	25	25



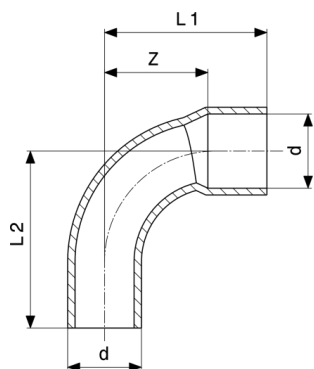
**Elbow 90°**  
- copper  
**Model 95090**

Article	d1	d2	Z1	Z2	L1	L2
100 278	22	22	15	15	31	31
100 711	28	28	19	19	38	38
103 088	35	35	28	28	51	51
106 416	42	42	34	34	61	61
109 905	54	54	45	45	77	77
594 411	64	64	76	76	109	109
594 428	76.1	76.1	67	67	100	100
594 435	88.9	88.9	79	79	116	116
594 442	108	108	130	130	178	178



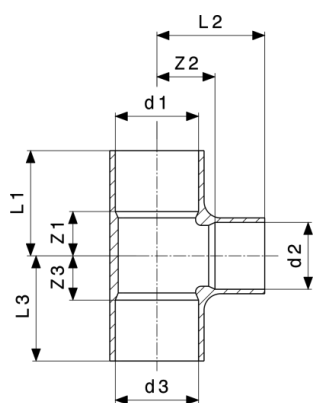
**Elbow 90°**  
- copper  
**Model 95092**

Article	d	Z	L1	L2
113 773	8	11	18	18
108 700	10	14	22	24
102 920	12	12	21	25
100 414	15	12	23	25
101 169	18	14	27	30
100 933	22	15	31	37
102 067	28	25	44	47
107 079	35	28	51	55



**Elbow 90°**  
- copper  
**Model 95092**

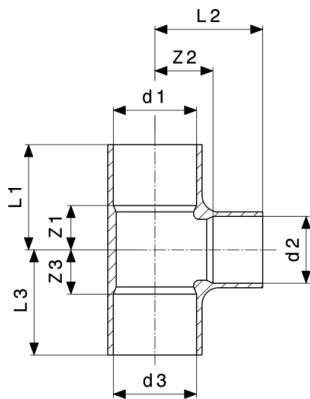
Article	d	Z	L1	L2
<b>113 995</b>	42	34	61	65
<b>118 891</b>	54	45	77	81



**T-piece**  
- copper  
**Model 95130**

Article	Cu	d1	d2	d3	Z1	Z2	Z3	L1	L2	L3
<b>107 475</b>		6	6	6	5	4	5	11	10	11
<b>128 968</b>		8	6	8	6	7	6	13	13	13
<b>105 747</b>		8	8	8	6	5	6	13	12	13
<b>120 009</b>		10	6	10	4	6	4	13	13	13
<b>104 092</b>		10	10	10	6	6	6	14	14	14
<b>136 635</b>		12	8	12	7	9	7	16	16	16
<b>109 745</b>		12	10	12	7	8	7	16	16	16
<b>101 435</b>	✓	12	12	12	7	7	7	16	16	16
<b>120 245</b>		15	8	15	8	12	8	19	19	19
<b>106 355</b>		15	10	15	8	11	8	19	19	19
<b>103 569</b>	✓	15	12	12	8	11	14	19	20	23
<b>101 848</b>	✓	15	12	15	8	11	8	19	20	19

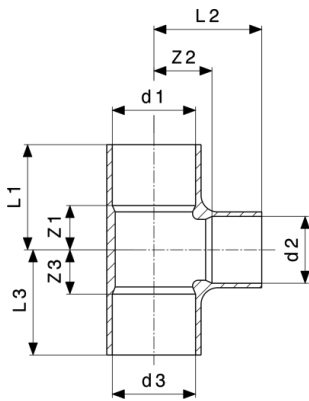
Cu = Quality seal for d12-54



**T-piece**  
- copper  
**Model 95130**

Article	Cu	d1	d2	d3	Z1	Z2	Z3	L1	L2	L3
104 863	✓	15	15	12	8	9	15	19	20	24
100 131	✓	15	15	15	8	9	8	19	20	19
103 200	✓	15	18	15	13	10	13	24	23	24
105 143	✓	15	22	15	16	13	16	27	29	27
120 122	✓	18	12	12	8	13	8	21	22	25
107 413	✓	18	12	15	8	13	14	21	22	25
103 606	✓	18	12	18	8	13	8	21	22	21
101 053	✓	18	15	15	8	13	14	21	24	25
100 582	✓	18	15	18	8	13	8	21	24	21
114 565	✓	18	18	12	10	10	18	23	23	27
102 890	✓	18	18	15	10	10	16	23	23	27
100 612	✓	18	18	18	10	11	10	23	24	23
104 689	✓	18	22	18	15	13	15	28	29	28
104 733	✓	22	12	22	8	15	8	24	24	24
101 725	✓	22	15	15	9	12	17	25	23	28
102 944	✓	22	15	18	9	12	7	25	23	28
100 445	✓	22	15	22	9	12	9	25	23	25
105 297	✓	22	18	15	11	14	11	27	27	32
103 217	✓	22	18	18	11	14	19	27	27	32
101 497	✓	22	18	22	11	14	11	27	27	27
102 456	✓	22	22	15	12	12	22	28	28	33
104 702	✓	22	22	18	12	12	20	28	28	33
100 476	✓	22	22	22	12	12	12	28	28	28
105 204	✓	22	28	22	20	15	20	36	34	36
114 183	✓	28	12	28	10	20	10	29	29	29
106 737	✓	28	15	22	11	18	20	30	29	36

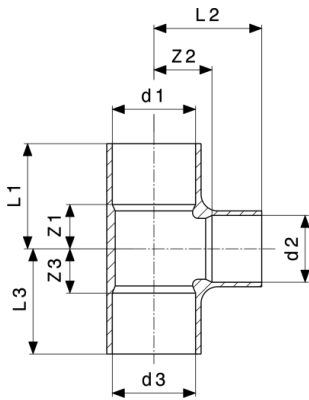
Cu = Quality seal for d12-54



**T-piece**  
- copper  
**Model 95130**

Article	Cu	d1	d2	d3	Z1	Z2	Z3	L1	L2	L3
101 619	✓	28	15	28	10	18	10	29	29	29
114 947	✓	28	18	18	12	18	24	31	31	37
109 219	✓	28	18	22	12	18	21	31	31	37
102 852	✓	28	18	28	10	18	10	29	31	29
112 943	✓	28	22	15	12	18	26	31	34	37
122 119	✓	28	22	18	12	18	24	31	34	37
103 248	✓	28	22	22	12	18	21	31	34	37
101 282	✓	28	22	28	12	18	12	31	34	31
109 424	✓	28	28	15	15	16	29	34	35	40
113 032	✓	28	28	18	15	16	27	34	36	40
106 232	✓	28	28	22	15	16	24	34	35	40
101 022	✓	28	28	28	15	18	15	34	37	34
115 760	✓	28	35	28	20	18	20	39	41	39
107 291	✓	35	15	35	10	24	10	33	35	33
109 899	✓	35	18	35	11	23	11	34	36	34
123 673	✓	35	22	22	15	21	29	38	37	45
113 599	✓	35	22	28	15	21	26	38	37	45
104 375	✓	35	22	35	13	21	13	36	37	36
122 676	✓	35	28	22	23	19	16	41	42	49
110 727	✓	35	28	28	18	23	28	41	42	47
105 808	✓	35	28	35	16	23	16	39	42	39
121 235	✓	35	35	22	21	22	35	44	45	51
117 580	✓	35	35	28	21	22	32	44	45	51
104 184	✓	35	35	35	19	22	19	42	45	42
118 556	✓	42	15	42	13	28	13	40	39	40
125 479	✓	42	18	42	15	26	15	42	39	42

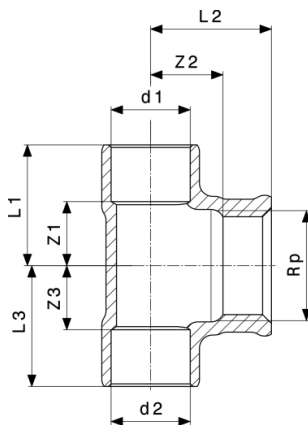
Cu = Quality seal for d12-54



**T-piece**  
- copper  
**Model 95130**

Article	Cu	d1	d2	d3	Z1	Z2	Z3	L1	L2	L3
111 595	✓	42	22	42	16	26	16	43	42	43
110 383	✓	42	28	42	18	26	18	45	45	45
122 591	✓	42	35	35	23	26	34	50	49	57
113 711	✓	42	35	42	23	26	23	50	49	50
108 236	✓	42	42	42	26	25	26	53	52	53
118 792	✓	54	22	54	18	33	18	50	49	50
117 467	✓	54	28	54	18	34	18	50	53	50
117 818	✓	54	35	54	25	33	25	57	56	57
119 652	✓	54	42	54	26	34	26	58	61	58
110 819	✓	54	54	54	32	33	32	64	65	64
595 227		64	42	64	28	42	28	55	64	55
595 234		64	54	64	31	37	31	64	69	64
131 722		64	64	64	36	36	36	69	69	69
595 357		76.1	54	76.1	29	42	29	63	74	63
595 364		76.1	64	76.1	28	55	28	67	76	67
135 911		76.1	76.1	76.1	41	46	41	75	80	75
634 292		88.9	54	88.9	33	47	33	71	79	71
595 241		88.9	64	88.9	38	48	38	76	81	76
595 371		88.9	76.1	88.9	44	44	44	81	83	81
137 021		88.9	88.9	88.9	60	60	60	99	99	99
151 003		108	108	108	60	60	60	107	107	107

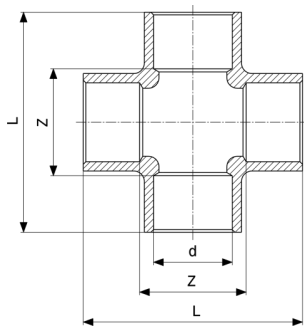
Cu = Quality seal for d12-54



**T-piece**  
- gunmetal  
**Model 94130G**

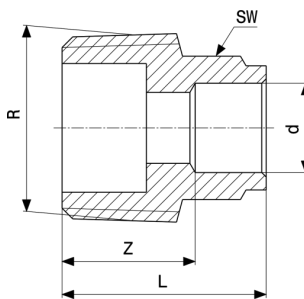
Article	d1	Rp	d2	Z1	Z2	Z3	L1	L2	L3
<b>150 600</b>	12	½	12	13	7	13	22	22	22
<b>131 029</b>	15	¾	15	10	6	10	21	18	21
<b>102 401</b>	15	½	15	12	8	12	23	23	23
<b>140 823</b>	18	¾	18	11	7	11	23	18	23
<b>103 767</b>	18	½	18	12	8	12	25	23	25
<b>157 999</b>	18	¾	18	17	9	17	30	25	30
<b>119 195</b>	22	¾	22	11	9	11	26	20	26
<b>101 978</b>	22	½	22	11	10	11	27	25	27
<b>109 141</b>	22	¾	22	17	10	17	32	27	32
<b>103 453</b>	28	½	28	14	14	14	33	29	33
<b>112 035</b>	28	¾	28	15	15	15	34	31	34
<b>258 955</b>	28	1	28	20	13	20	39	32	39
<b>152 734</b>	35	½	35	13	12	13	36	27	36
<b>123 390</b>	35	¾	35	15	12	15	39	29	39
<b>136 734</b>	35	1¼	35	26	24	26	49	45	49
<b>157 678</b>	42	1½	42	26	16	26	53	37	53





**Cross piece**  
- gunmetal  
**Model 94180**

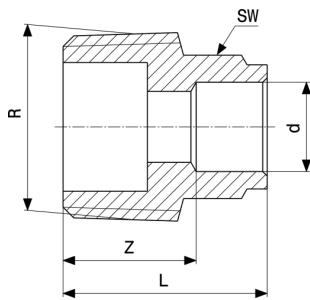
Article	d	Z	L
<b>138 851</b>	15	20	42
<b>134 464</b>	18	24	50
<b>121 884</b>	22	27	58
<b>135 508</b>	28	34	71



**Adapter**  
- gunmetal  
**Model 94243G**

Article	d	R	Z	L	SW
<b>151 614</b>	8	¼	12	19	17
<b>145 002</b>	8	⅜	12	20	12
<b>136 673</b>	10	¼	11	20	14
<b>114 060</b>	10	⅜	11	19	13
<b>112 400</b>	10	½	15	23	14
<b>132 620</b>	12	¼	12	21	16
<b>101 152</b>	12	⅜	12	21	16
<b>101 398</b>	12	½	14	23	16
<b>101 657</b>	15	⅜	13	24	19
<b>100 025</b>	15	½	15	26	18
<b>102 234</b>	15	¾	16	27	19
<b>100 650</b>	18	½	15	28	21
<b>101 039</b>	18	¾	13	26	21

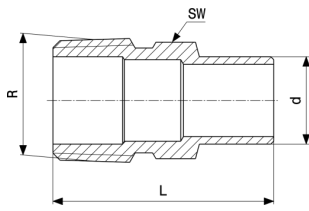
SW = Spanner width



**Adapter**  
- gunmetal  
**Model 94243G**

Article	d	R	Z	L	SW
<b>101 749</b>	22	½	17	33	26
<b>100 322</b>	22	¾	16	32	26
<b>100 889</b>	22	1	16	32	26
<b>121 228</b>	28	½	18	37	32
<b>102 913</b>	28	¾	18	37	32
<b>100 285</b>	28	1	18	37	32
<b>105 839</b>	28	1¼	19	40	32
<b>107 109</b>	35	1	22	45	39
<b>102 661</b>	35	1¼	21	44	42
<b>174 484</b>	35	1½	12	35	42
<b>141 905</b>	42	1¼	26	53	48
<b>106 638</b>	42	1½	21	48	48
<b>258 481</b>	42	2	15	42	48
<b>169 305</b>	54	1½	28	60	61
<b>109 196</b>	54	2	30	62	61
<b>138 202</b>	64	2½	24	57	71
<b>137 236</b>	76.1	2½	34	68	83
<b>140 007</b>	88.9	3	41	79	97
<b>159 634</b>	108	4	48	96	119

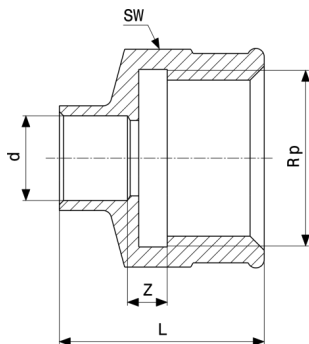
SW = Spanner width



**Adapter**  
- gunmetal  
**Model 94280G**

Article	d	R	L	SW
116 040	15	½	38	19
120 221	18	½	40	21
131 166	22	½	44	24
117 894	22	¾	44	25
126 940	28	1	51	31
140 946	35	1¼	60	40
142 841	42	1½	61	48

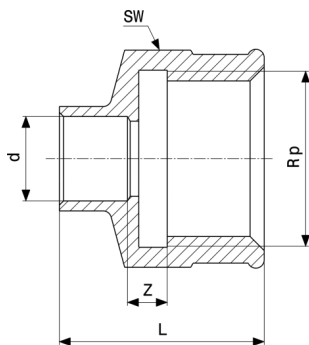
SW = Spanner width



**Adapter**  
- gunmetal  
**Model 94270G**

Article	d	Rp	Z	L	SW
118 976	10	¼	1	20	17
118 051	10	⅝	1	21	21
119 515	10	½	1	25	25
105 259	12	⅝	2	22	21
104 214	12	½	1	25	25
101 787	15	⅝	2	24	21
100 254	15	½	2	28	25
104 771	15	¾	2	29	30
100 940	18	½	2	30	25
102 180	18	¾	2	31	30
101 664	22	½	2	33	25

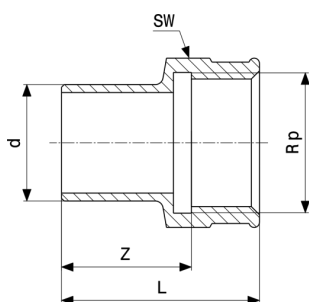
SW = Spanner width



**Adapter**  
- gunmetal  
**Model 94270G**

Article	d	Rp	Z	L	SW
100 728	22	¾	1	34	30
102 470	22	1	1	36	38
104 139	28	¾	2	37	30
100 964	28	1	2	40	38
107 192	28	1¼	4	44	47
165 864	35	¾	0	40	34
107 857	35	1	1	43	40
108 267	35	1¼	6	51	48
163 419	42	1¼	6	55	49
117 597	42	1½	4	53	53
160 586	54	2	3	61	66
144 418	64	2½	4	66	83

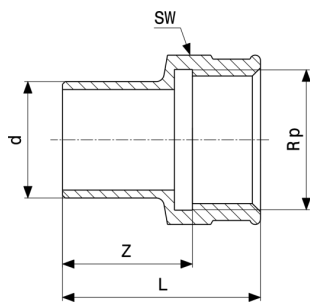
SW = Spanner width



**Plug-in piece**  
- gunmetal  
**Model 94246G**

Article	d	Rp	Z	L	SW
117 917	12	¾	14	26	21
119 669	12	½	17	32	26
118 549	15	¾	16	27	21
106 553	15	½	17	32	25

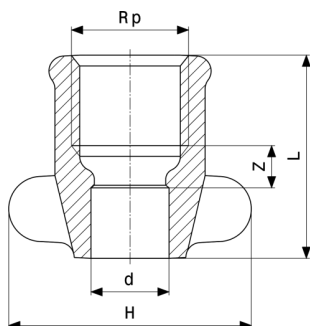
SW = Spanner width



**Plug-in piece**  
- gunmetal  
**Model 94246G**

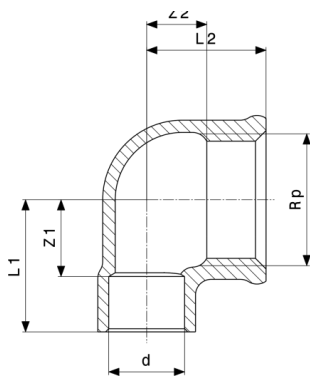
Article	d	Rp	Z	L	SW
<b>111 274</b>	18	½	18	33	25
<b>132 873</b>	18	¾	20	36	31
<b>112 455</b>	22	½	21	36	25
<b>118 846</b>	22	¾	21	38	31
<b>131 838</b>	28	¾	24	41	31
<b>117 849</b>	28	1	25	45	38
<b>133 252</b>	35	1¼	37	58	49

SW = Spanner width



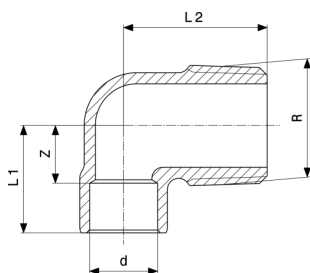
**Adapter**  
- gunmetal  
**Model 94270GF**

Article	d	Rp	Z	L	H
<b>103 880</b>	15	½	6	32	40



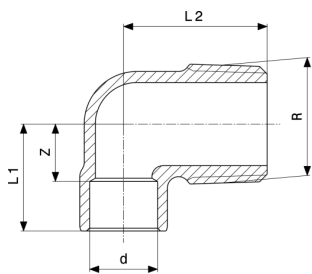
**Adapter elbow 90°**  
- gunmetal  
**Model 94090G**

Article	d	Rp	Z1	Z2	L1	L2
117 887	12	$\frac{3}{8}$	11	5	20	16
105 693	12	$\frac{1}{2}$	12	4	21	19
148 362	15	$\frac{3}{8}$	10	6	21	18
100 667	15	$\frac{1}{2}$	12	7	23	22
130 114	15	$\frac{3}{4}$	17	7	28	23
104 436	18	$\frac{1}{2}$	12	8	25	23
109 011	18	$\frac{3}{4}$	16	8	29	24
106 102	22	$\frac{1}{2}$	11	8	27	23
107 581	22	$\frac{3}{4}$	16	10	32	26
113 865	22	1	19	11	35	30
144 203	28	$\frac{3}{4}$	15	14	34	30
109 561	28	1	21	13	40	32
173 494	35	$1\frac{1}{4}$	23	19	47	40
166 397	42	$1\frac{1}{2}$	26	24	53	45
151 676	54	2	32	29	64	55



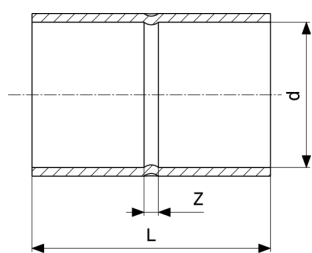
**Adapter elbow 90°**  
- gunmetal  
**Model 94092G**

Article	d	R	Z	L1	L2
103 910	12	$\frac{3}{8}$	9	18	23
108 687	12	$\frac{1}{2}$	10	19	26



**Adapter elbow 90°**  
- gunmetal  
**Model 94092G**

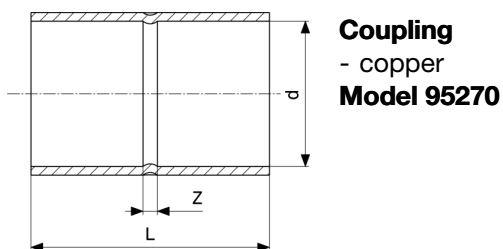
Article	d	R	Z	L1	L2
106 577	15	3/8	10	21	27
100 568	15	1/2	10	21	28
107 635	18	1/2	18	32	30
133 108	18	3/4	14	27	31
136 307	22	1/2	11	27	33
107 208	22	3/4	14	29	33
144 067	22	1	17	33	39
131 739	28	3/4	18	33	38
149 970	28	1	19	38	46
138 691	35	1 1/4	22	45	45



**Coupling**  
- copper  
**Model 95270**

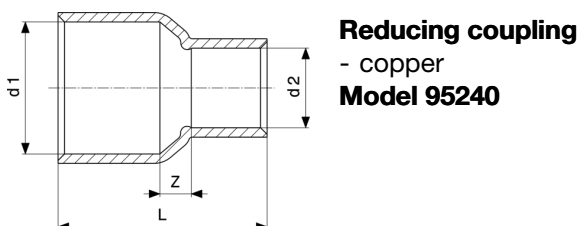
Article	Cu	d	Z	L
108 717		6	1	13
107 093		8	1	15
102 357		10	1	17
100 872	✓	12	2	19
100 117	✓	15	2	23
100 469	✓	18	2	27
100 353	✓	22	2	32
100 698	✓	28	2	38
102 616	✓	35	2	48

Cu = Quality seal for d12-54



Article	Cu	d	Z	L
105 433	✓	42	2	56
106 744	✓	54	2	66
124 038		64	5	70
127 862		76.1	4	72
128 319		88.9	5	80
146 481		108	4	100

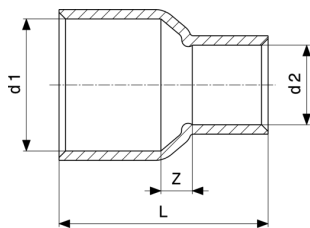
Cu = Quality seal for d12-54



Article	Cu	d1	d2	Z	L
142 872		8	6	5	17
121 082		10	6	2	16
121 150		10	8	2	19
120 504		12	8	5	24
107 420		12	10	4	20
110 154		15	10	5	23
102 524	✓	15	12	5	26
106 874	✓	18	12	7	29
101 176	✓	18	15	4	27
110 758	✓	22	12	9	36
101 565	✓	22	15	7	37
101 602	✓	22	18	6	35
105 037	✓	28	15	12	44
106 256	✓	28	18	7	42

Cu = Quality seal for d12-54

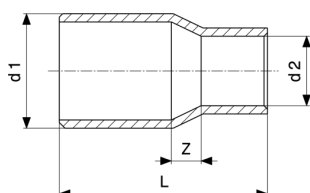




**Reducing coupling**  
- copper  
**Model 95240**

Article	Cu	d1	d2	Z	L
102 111	✓	28	22	5	43
109 738	✓	35	22	11	50
105 334	✓	35	28	9	52
121 280	✓	42	22	23	67
117 269	✓	42	28	13	59
111 687	✓	42	35	10	60
124 076	✓	54	28	24	77
120 788	✓	54	35	14	69
116 118	✓	54	42	11	70
594 374		64	54	12	77
634 278		76.1	54	25	90
594 381		76.1	64	14	80
594 398		88.9	76.1	15	86
594 404		108	88.9	20	105

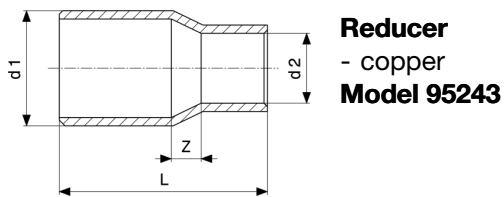
Cu = Quality seal for d12-54



**Reducer**  
- copper  
**Model 95243**

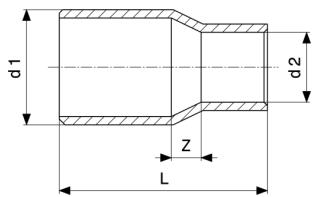
Article	Cu	d1	d2	Z	L
124 540		10a	6	3	18
119 805		10a	8	1	16
123 796		12a	6	4	21
116 187		12a	8	2	20
104 290		12a	10	1	19
105 983		15a	10	3	23
101 060	✓	15a	12	2	24

Cu = Quality seal for d12-54



Article	Cu	d1	d2	Z	L
104 566	✓	18a	12	3	27
100 520	✓	18a	15	3	29
108 298	✓	22a	12	6	33
100 841	✓	22a	15	5	34
100 780	✓	22a	18	4	35
118 013	✓	28a	12	10	39
103 156	✓	28a	15	8	39
103 637	✓	28a	18	6	39
101 015	✓	28a	22	6	42
115 296	✓	35a	15	11	47
115 180	✓	35a	18	9	47
105 792	✓	35a	22	7	48
103 118	✓	35a	28	5	49
133 313	✓	42a	15	15	55
116 392	✓	42a	22	11	56
110 260	✓	42a	28	8	56
106 935	✓	42a	35	5	57
118 648	✓	54a	28	15	67
115 852	✓	54a	35	11	68
112 530	✓	54a	42	8	69
594 169		64.0a	35	19	78
594 176		64.0a	42	15	79
126 261		64.0a	54	2	75
594 190		76.1a	35	24	86
594 183		76.1a	42	21	86
127 732		76.1a	54	12	82
594 206		76.1a	64	10	79
634 308		88.9a	54	21	96
594 237		88.9a	64	16	92
132 866		88.9a	76.1	4	87

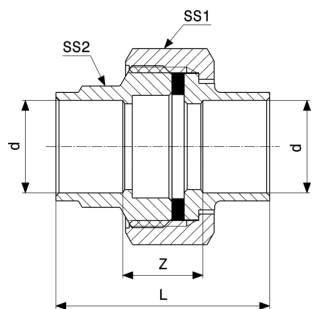
Cu = Quality seal for d12-54



**Reducer**  
- copper  
**Model 95243**

Article	Cu	d1	d2	Z	L
<b>594 213</b>		108.0a	64	25	111
<b>594 220</b>		108.0a	76.1	19	107
<b>150 709</b>		108.0a	88.9	15	103

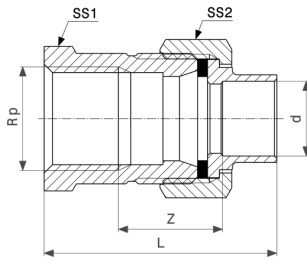
Cu = Quality seal for d12-54



**Screw fitting**  
- gunmetal  
**Model 94330**

Article	d	Z	L	SW1	SW2
<b>110 239</b>	15	13	35	29	19
<b>122 249</b>	18	14	40	29	22
<b>116 583</b>	22	14	45	36	26
<b>154 196</b>	28	18	55	46	32
<b>176 174</b>	35	22	68	52	40

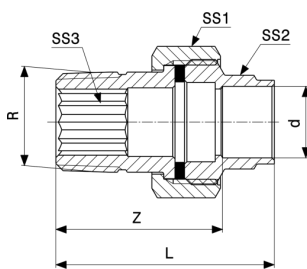
SW = Spanner width



**Adapter union**  
- gunmetal, brass  
**Model 94330G**

Article	d	Rp	Z	L	SW1	SW2
<b>113 421</b>	15	½	21	47	29	27
<b>120 856</b>	18	½	22	50	29	27
<b>117 399</b>	22	¾	22	54	36	34
<b>119 478</b>	28	1	21	59	46	44

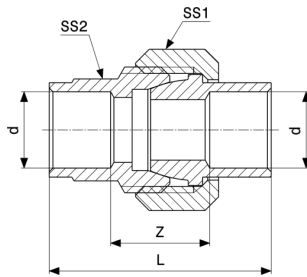
SW = Spanner width



**Adapter union**  
- gunmetal, brass  
**Model 94331G**

Article	d	R	Z	L	SW1	SW2	SW3
<b>109 806</b>	15	½	35	46	29	19	12
<b>120 146</b>	18	½	35	48	29	22	12
<b>112 967</b>	22	¾	38	54	36	26	17
<b>133 535</b>	28	1	44	63	46	32	22
<b>220 839</b>	35	1¼	51	74	52	35	

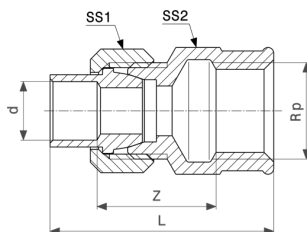
SW = Spanner width



**Screw fitting**  
- gunmetal  
**Model 94340**

Article	d	Z	L	SW1	SW2
<b>132 033</b>	10	13	30	19	13
<b>151 645</b>	12	12	30	23	16
<b>103 699</b>	15	13	35	29	19
<b>124 434</b>	18	14	40	29	22
<b>104 399</b>	22	13	45	36	26
<b>107 604</b>	28	17	54	46	32
<b>114 695</b>	35	20	66	52	40
<b>125 899</b>	42	21	76	59	49
<b>148 256</b>	54	27	91	75	61

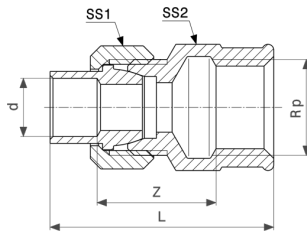
SW = Spanner width



**Adapter union**  
**Model 94340G**

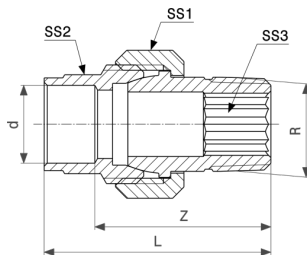
Article	d	Rp	Z	L	SW1	SW2
<b>163 051</b>	12	½	17	41	23	25
<b>122 683</b>	15	¾	15	38	29	22
<b>103 422</b>	15	½	21	47	29	27
<b>110 390</b>	15	¾	20	47	29	31
<b>106 690</b>	18	½	21	49	29	27
<b>109 295</b>	18	¾	20	49	29	31
<b>101 527</b>	22	¾	21	53	36	34
<b>105 310</b>	22	1	23	58	36	40
<b>103 002</b>	28	1	20	58	46	44
<b>107 918</b>	35	1¼	25	70	52	50

SW = Spanner width


**Adapter union  
Model 94340G**

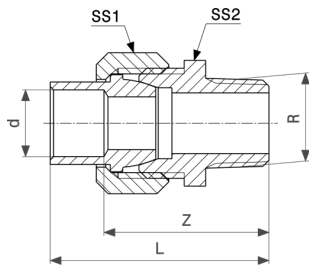
Article	d	Rp	Z	L	SW1	SW2
<b>115 937</b>	42	1½	23	72	59	55
<b>125 325</b>	54	2	23	81	75	66

SW = Spanner width


**Adapter union  
Model 94341G**

Article	d	R	Z	L	SW1	SW2	SW3
<b>118 921</b>	12	¾	29	38	23	16	8
<b>147 099</b>	12	½	36	45	29	16	12
<b>115 883</b>	15	¾	31	42	23	19	8
<b>102 128</b>	15	½	33	44	29	19	12
<b>122 959</b>	15	¾	39	50	36	19	17
<b>109 042</b>	18	½	34	47	29	22	12
<b>109 547</b>	18	¾	38	51	36	22	17
<b>101 558</b>	22	¾	36	52	36	26	17
<b>109 080</b>	22	1	44	59	46	26	22
<b>103 705</b>	28	1	41	60	46	32	22
<b>108 427</b>	35	1¼	45	68	52	40	
<b>118 327</b>	42	1½	51	78	59	49	
<b>129 620</b>	54	2	54	86	75	61	

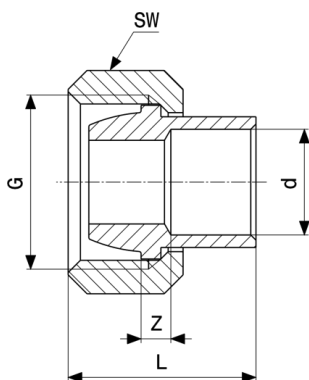
SW = Spanner width



**Adapter union**  
- gunmetal  
**Model 94343G**

Article	d	R	Z	L	SW1	SW2
<b>167 202</b>	12	$\frac{3}{8}$	29	38	23	22
<b>134 716</b>	12	$\frac{1}{2}$	33	42	22	23
<b>102 395</b>	15	$\frac{1}{2}$	35	46	29	27
<b>120 771</b>	15	$\frac{3}{4}$	39	50	29	28
<b>111 984</b>	18	$\frac{1}{2}$	35	48	29	27
<b>116 859</b>	18	$\frac{3}{4}$	39	52	29	28
<b>102 685</b>	22	$\frac{3}{4}$	40	55	36	34
<b>115 098</b>	22	1	41	57	36	34
<b>103 996</b>	28	1	44	63	46	44
<b>110 581</b>	35	1 $\frac{1}{4}$	53	75	52	50
<b>115 135</b>	42	1 $\frac{1}{2}$	54	82	59	55
<b>119 980</b>	54	2	65	97	75	71
<b>144 005</b>	64	2 $\frac{1}{2}$	78	111	93	90
<b>165 918</b>	76.1	2 $\frac{1}{2}$	77	110	102	99

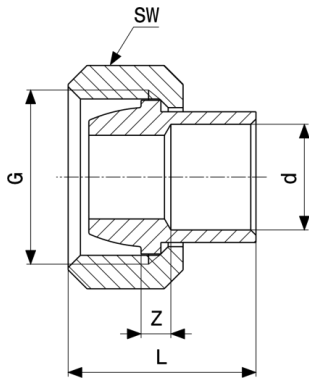
SW = Spanner width



**Connection screw fitting**  
- gunmetal  
**Model 94384G**

Article	d	G	Z	L	SW
<b>136 666</b>	12	$\frac{1}{2}$	2	19	23
<b>113 148</b>	15	$\frac{3}{4}$	2	23	29

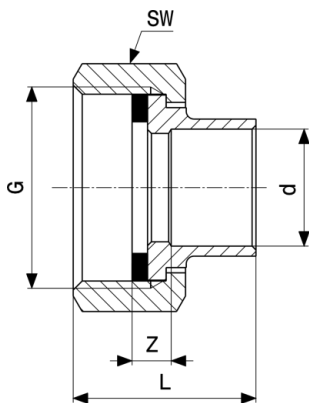
SW = Spanner width



**Connection screw fitting**  
- gunmetal  
**Model 94384G**

Article	d	G	Z	L	SW
<b>130 367</b>	18	¾	2	25	29
<b>116 323</b>	22	1	2	28	36
<b>125 998</b>	28	1¼	2	32	46
<b>130 794</b>	35	1½	5	40	52
<b>138 745</b>	42	1¾	4	44	59
<b>140 366</b>	54	2¾	6	51	75

SW = Spanner width

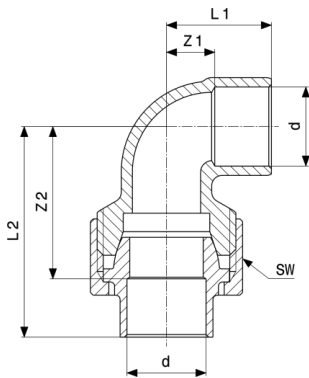


**Connection screw fitting**  
**Model 94359**

Article	d	G	Z	L	SW
<b>288 402</b>	15	¾	5	24	29
<b>288 396</b>	18	¾	6	27	29
<b>288 389</b>	22	1	5	29	36
<b>288 372</b>	28	1¼	6	34	46
<b>288 365</b>	35	1½	10	42	52
<b>288 358</b>	42	1¾	7	44	59
<b>288 341</b>	54	2¾	9	51	75

SW = Spanner width

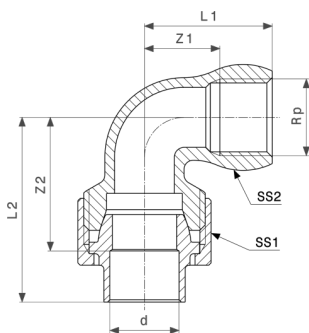




**Adapter union 90°**  
- gunmetal  
**Model 94096**

Article	d	Z1	Z2	L1	L2	SW
<b>123 499</b>	15	9	30	20	41	29
<b>134 815</b>	18	12	32	25	45	29
<b>133 276</b>	22	14	36	30	52	36
<b>146 368</b>	28	18	42	37	60	46

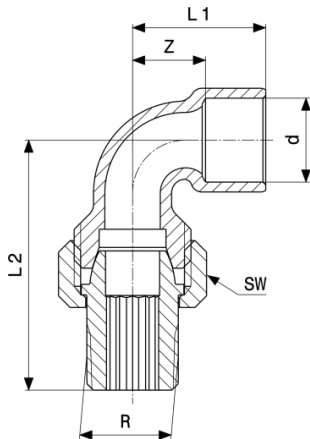
SW = Spanner width



**Adapter union 90°**  
**Model 94096G**

Article	d	Rp	Z1	Z2	L1	L2	SW1	SW2
<b>114 787</b>	15	½	18	31	33	42	29	28
<b>119 461</b>	18	½	21	31	33	44	29	28
<b>216 962</b>	18	¾	23	39	39	52	36	33
<b>107 338</b>	22	¾	23	37	39	53	36	33
<b>120 498</b>	22	1	25	40	44	56	36	40
<b>112 295</b>	28	1	28	44	47	63	46	39
<b>121 433</b>	35	1¼	35	50	57	73	52	48

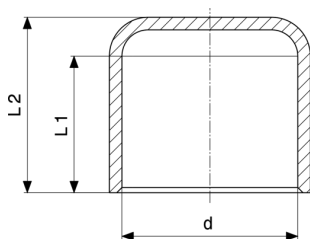
SW = Spanner width



**Adapter union 90°  
Model 94098G**

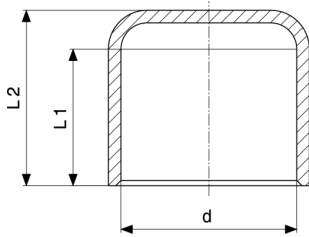
Article	d	R	Z	L1	L2	SW
120 979	12	½	9	18	49	29
103 859	15	½	9	20	49	29
110 017	18	½	12	25	51	29
120 580	18	¾	12	25	59	36
114 909	22	¾	14	30	59	36
144 128	28	1	18	37	68	46
120 061	35	1¼	22	45	76	52
144 098	42	1½	24	51	85	59
146 450	54	2	28	60	100	74

SW = Spanner width



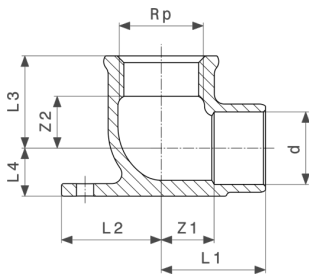
**Cap  
- copper  
Model 95301**

Article	d	L1	L2
121 273	8	7	9
108 892	10	8	10
104 450	12	9	11
101 466	15	11	13
103 590	18	13	15
102 951	22	15	18
105 662	28	18	21



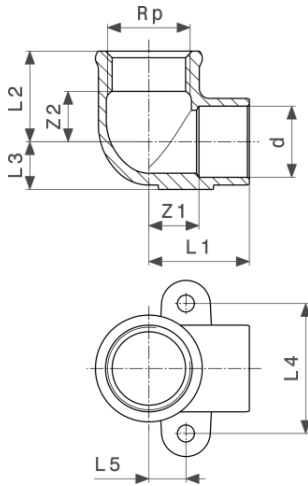
**Cap**  
- copper  
**Model 95301**

Article	d	L1	L2
<b>109 134</b>	35	25	29
<b>113 155</b>	42	27	33
<b>114 077</b>	54	32	37
<b>594 367</b>	64	33	37



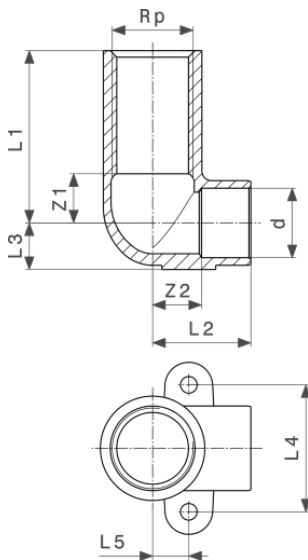
**Wall plate**  
- gunmetal  
**Model 94471G**

Article	d	Rp	Z1	Z2	L1	L2	L3	L4
<b>103 958</b>	12	½	13	5	22	25	20	9
<b>101 275</b>	15	½	13	7	24	25	22	10
<b>106 393</b>	18	½	13	8	26	25	23	12
<b>113 216</b>	18	¾	16	8	29	30	24	12
<b>110 192</b>	22	½	15	8	31	21	23	15
<b>111 304</b>	22	¾	17	10	33	21	27	15
<b>151 812</b>	28	1	19	15	37	34	35	18



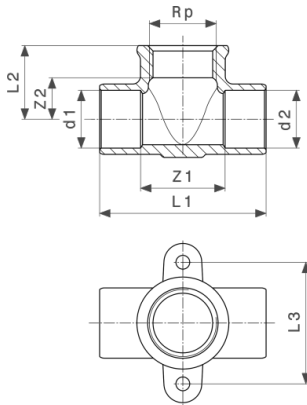
**Wall plate**  
- gunmetal  
**Model 94472G**

Article	d	Rp	Z1	Z2	L1	L2	L3	L4	L5
103 965	12	½	13	5	22	20	9	33	9
112 813	15	¾	10	6	21	18	11	34	0
100 223	15	½	12	7	23	22	10	33	9
102 210	18	½	13	8	26	23	12	33	9
113 490	22	¾	17	10	33	27	14	42	12



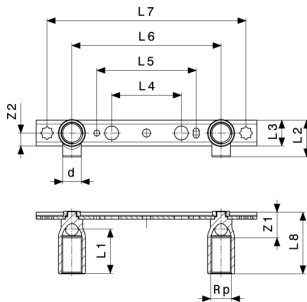
**Wall plate**  
- gunmetal  
**Model 94472GL**

Article	d	Rp	L	Z1	Z2	L1	L2	L3	L4	L5
105 129	15	½	45	12	13	45	24	10	33	10



**Wall plate T-piece**  
- gunmetal  
**Model 94490G**

Article	d1	Rp	d2	Z1	Z2	L1	L2	L3
<b>118 310</b>	15	½	15	30	7	52	22	38
<b>138 127</b>	18	½	18	26	8	52	23	38
<b>122 287</b>	22	½	22	23	14	56	29	48

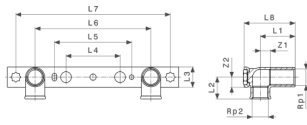


**Gemini mounting unit**  
**Model 94476**

Article	d	Rp	L	DG	Z1	Z2	L1	L2	L3	L4
<b>107 031</b>	15	½	45	150/200	26	13	45	38	26	70
<b>111 151</b>	15	½	65	150/200	26	13	65	38	26	70

Article	d	Rp	L	DG	L5	L6	L7	L8
<b>107 031</b>	15	½	45	150/200	100	150	200	63
<b>111 151</b>	15	½	65	150/200	100	150	200	83

DG = Depth gauge

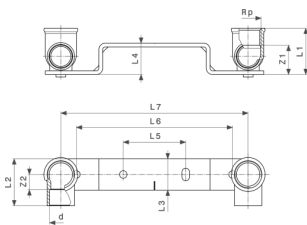


**Gemini mounting unit  
Model 94478**

Article	Rp1	Rp2	L	DG	Z1	Z2	L1	L2	L3	L4
<b>124 892</b>	½	½	45	150/200	29	13	45	41	26	70

Article	Rp1	Rp2	L	DG	L5	L6	L7	L8
<b>124 892</b>	½	½	45	150/200	100	150	200	67

DG = Depth gauge

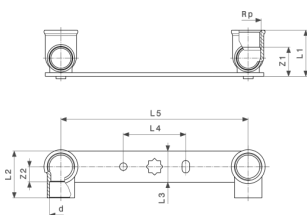


**Gemini mounting unit  
Model 94476.0**

Article	d	Rp	DG	Z1	Z2	L1	L2	L3	L4	L5
<b>123 628</b>	12	½	150	17	13	32	34	25	25	50
<b>101 091</b>	15	½	150	20	12	35	36	25	25	50
<b>108 021</b>	18	½	150	22	12	37	38	25	25	50

Article	d	Rp	DG	L6	L7
<b>123 628</b>	12	½	150	125	150
<b>101 091</b>	15	½	150	125	150
<b>108 021</b>	18	½	150	125	150

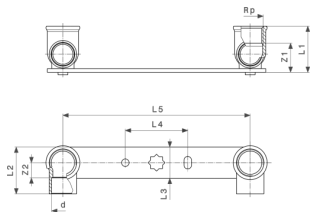
DG = Depth gauge



**Gemini mounting unit  
Model 94476.05**

Article	d	Rp	DG	Z1	Z2	L1	L2	L3	L4	L5
<b>121 167</b>	12	½	150	17	13	32	34	25	50	150
<b>104 986</b>	15	½	150	20	12	35	36	25	50	150

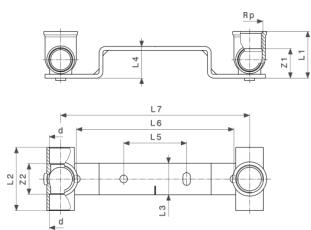
DG = Depth gauge



**Gemini mounting unit  
Model 94476.05NOR**

Article	d	Rp	DG	Z1	Z2	L1	L2	L3	L4	L5
<b>111 441</b>	12	3/8	150	17	11	28	30	25	50	150

DG = Depth gauge

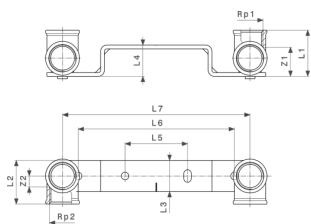


**Gemini mounting unit  
Model 94476.09**

Article	d	Rp	DG	Z1	Z2	L1	L2	L3	L4	L5
<b>130 145</b>	15	1/2	150	19	26	34	48	25	25	50

Article	d	Rp	DG	L6	L7
<b>130 145</b>	15	1/2	150	125	150

DG = Depth gauge

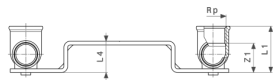


**Gemini mounting unit  
Model 94478.0**

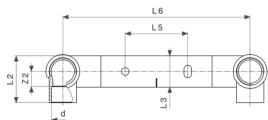
Article	Rp1	Rp2	DG	Z1	Z2	L1	L2	L3	L4	L5
<b>118 754</b>	1/2	1/2	150	29	15	44	38	25	25	50

Article	Rp1	Rp2	DG	L6	L7
<b>118 754</b>	1/2	1/2	150	125	150

DG = Depth gauge



**Gemini mounting unit  
Model 94476EX**



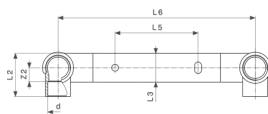
Article	d	Rp	DG	Z1	Z2	L1	L2	L3	L4	L5
105 990	12	3/8	120	17	10	28	30	25	21	40

Article	d	Rp	DG	L6
105 990	12	3/8	120	120

DG = Depth gauge



**Gemini mounting unit  
Model 94476.1**



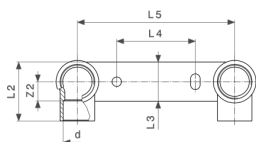
Article	d	Rp	DG	Z1	Z2	L1	L2	L3	L4	L5
106 119	15	1/2	200	20	12	35	36	25	25	100

Article	d	Rp	DG	L6
106 119	15	1/2	200	200

DG = Depth gauge



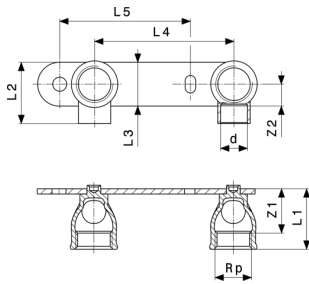
**Gemini mounting unit  
Model 94476.2**



Article	d	Rp	DG	Z1	Z2	L1	L2	L3	L4	L5
107 284	15	1/2	100	20	12	35	36	25	55	100

DG = Depth gauge

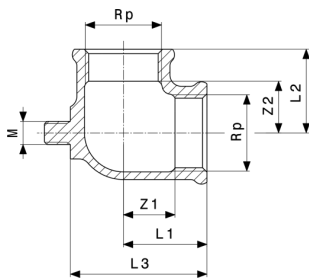




**Gemini mounting unit  
Model 94476.21**

Article	d	Rp	DG	Z1	Z2	L1	L2	L3	L4	L5
<b>268 138</b>	15	½	80	20	12	35	36	25	80	75

DG = Depth gauge



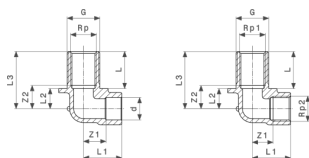
**Connection elbow 90°  
Model 94477.0-713**

Article	Rp	Z1	Z2	L1	L2	L3	M
<b>374 570<sup>1</sup></b>	½	15	15	25	25	41	8
<b>489 298<sup>1</sup></b>	¾	18	18	29	29	47	8
<b>138 066<sup>2</sup></b>	1	15	15	35	35	57	8

M = Thread type

1) gunmetal

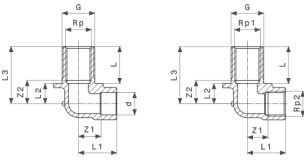
2) brass



**Wall lead-in  
- gunmetal  
Model 3426**

Article	Rp	d	Rp1	L	Rp2	G	Z1	Z2	L1	L2
<b>333 911<sup>1</sup></b>			½	30	½	¾	16	19	31	16
<b>333 928<sup>1</sup></b>	½	15		30		¾	11	15	22	13
<b>333 935</b>	½	15		55		¾	11	40	22	13

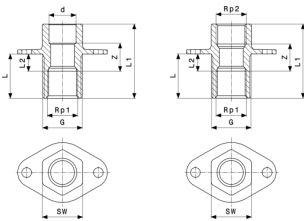
1) for connection in concealed cistern



**Wall lead-in**  
- gunmetal  
**Model 3426**

Article	Rp	d	Rp1	L	Rp2	G	L3
<b>333 911</b> <sup>1)</sup>			½	30	½	¾	46
<b>333 928</b> <sup>1)</sup>	½	15		30		¾	43
<b>333 935</b>	½	15		55		¾	68

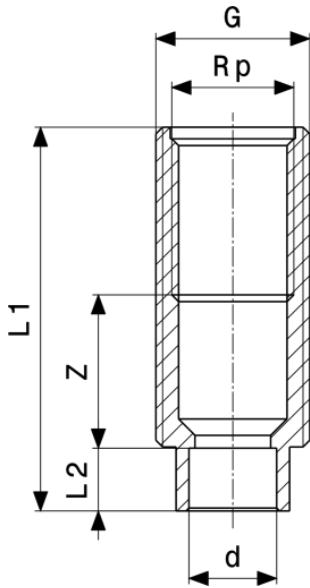
1) for connection in concealed cistern



**Wall lead-in**  
- gunmetal  
**Model 3427**

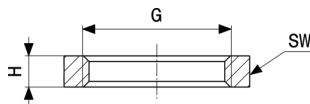
Article	Rp1	L	Rp2	G	Z	L1	L2	SW
<b>333 942</b>	½	30	½	¾	17	50	12	27

SW = Spanner width



**Wall lead-in**  
- gunmetal  
**Model 3427.2**

Article	d	L	Rp	G	Z	L1	L2
<b>448 745</b>	15	55	½	¾	25	66	11



**Hexagonal nut**  
- brass  
**Model 1911**

Article	G	H	SW
<b>103 347</b>	¾	6	33

SW = Spanner width

# Imprint

## **Viega GmbH & Co. KG**

Viega Platz 1  
57439 Attendorn  
Germany  
Phone: +49/2722/61-0  
Fax: +49/2722/61-1566

The Viega GmbH & Co. KG is represented by the general partners: Viega Management B.V. (Managing directors: Michael Klenz, Sebastian Lelgemann) and Viega Management GmbH (Managing directors: Michael Klenz, Sebastian Lelgemann)

The Submittal Package contains non-binding information that is being provided to you. All contents in the Submittal Package have been compiled with the greatest possible care and attention. Despite this, we are unable to guarantee that the information is up to date, accurate and complete. Placing an order does not automatically render the Submittal Package part of the contract.