

drains for bathtubs and shower trays

Submittal Package



table of contents

1	Product group description	3
2	Certificates	5
3	Z dimensions	7
4	Imprint	10

Product group description

Supplies, drains and overflows made of polypropylene (PP) and accessories for bathtubs and shower trays. Various mechanical and electronic equipment versions.

Multiplex Trio E

Electronically controlled mixing unit for filling a bathtub. For use with drain and overflow fittings with water supply.

Multiplex Trio

Drain and overflow for bathtubs, with water supply through the overflow unit, drain hole Ø 52 mm, for use with pipe interrupter, rotatable rosette or motor-operated.

Rotaplex Trio

Drain and overflow for bathtubs, with water supply through the overflow unit, drain hole Ø 90 mm, for use with pipe interrupter, rotatable rosette or motor-operated.

Multiplex Trio F

Drain and overflow for bathtubs, with water supply through the drain unit, drain hole Ø 52 mm, for use with pipe interrupter, rotatable rosette or motor-operated.

Rotaplex Trio F

Drain and overflow for bathtubs, with water supply through the drain unit, drain hole Ø 90 mm, for use with pipe interrupter, rotatable rosette or motor-operated.

Multiplex

Drain and overflow for bathtubs, drain hole Ø 52 mm, rotatable rosette operation.

Rotaplex

Drain and overflow for bathtubs, drain hole Ø 90 mm, rotatable rosette operation.

Citaplex

Drain and overflow for bathtubs, drain hole Ø 52 mm, closure with valve plug.

Domoplex

Drain for shower trays, drain hole Ø 52 mm, with removable odour trap.

Tempoplex

Drain for shower trays, drain hole Ø 90 mm, installation depth 60 or 80 mm, with removable odour trap.

Tempoplex Plus

Drain for shower trays, drain hole Ø 90 mm, installation depth 90 mm, with especially high drainage capacity, with removable odour trap.

Duoplex

Drain for shower trays, drain hole Ø 52 mm, with cover cap standpipe, with removable odour trap.

Varioplex

Drain for shower trays, drain hole Ø 52 mm, with standpipe.

Note

Use of the products for areas of application and media other than those described must be agreed in consultation with Viega! Plastic products made from PP (polypropylene) are environmentally compatible and offer the best properties for domestic wastewater. Hot water heated only briefly to max. 95 °C may be discharged via the odour traps! Do not use chemical cleaning agents to remove pipe blockages! Use only mild cleaning agents for the surfaces! Detailed information about applications, restrictions and national standards and directives can be found in the product information, either printed or on the Viega website.

Viptool software solutions








Software solutions for the service management and detailed planning of Viega piping, pre-wall, flushing and drainage technology.






For a quick and simple solution to specific planning tasks use further free web applications, which can be found on the Viega website.

Subject to change without prior notice!

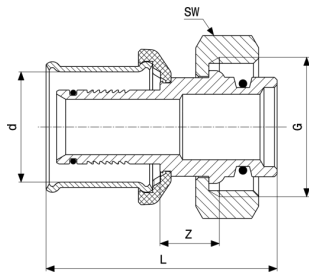
Latest Z- and installation dimensions as well as further technical information can be found on the Viega website and have to be checked before purchase, planning, construction work and use. Our products are continuously optimised.

Certificates

	<p>SAI Watermark Certificate of Conformity Multiplex, Multiplex Trio, Rotaplex, Rotaplex Trio</p>
BELGAQUA	<p>BELGAQUA Certificate Concealed pipe interrupter</p>
BELGAQUA	<p>BELGAQUA Certificate Multiplex Trio</p>
	<p>LGA Zertifikat Ablaufgarnituren für Badewannen, Duschwannen, Waschtische, Spülen</p>
CARSO	<p>CARSO Certificate of conformity Bath filler, pop-up and overflow set Talentofill</p>
CARSO	<p>CARSO Certificate of sanitary conformity Multiplex Trio, Rotaplex Trio</p>
	<p>CSTB Certificate NF Drains for bathtubs, basins, bidets, sinks</p>
	<p>WRAS Certificate Multiplex Trio MT5 , Rotaplex Trio MT 5</p>
	<p>WRAS Certificate Multiplex Multiplex Trio MT1</p>
	<p>WRAS Certificate Multiplex Trio MT7, Multiplex Trio MT8</p>
	<p>WRAS Certificate Multiplex Trio MT9</p>

	<p>WRAS Certificate Multiplex Trio MT5</p>
<p>EMI</p>	<p>EMI certificate Drains for bathtubs and shower trays, sinks and bidets</p>
	<p>KIWA Product Certificate Multiplex Trio</p>
	<p>ITB Product Certificate Advantix, Tempoplex</p>
	<p>IAPMO UPC Certificate Bathwaste and Overflow Assemblies</p>
	<p>IAPMO UPC Certificate of Listing Plumbing Waste Fittings</p>

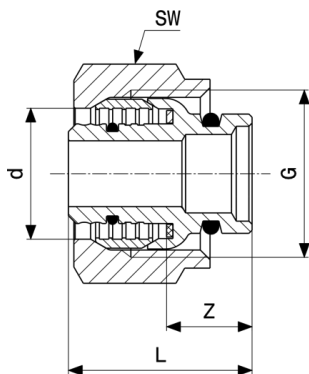
Z dimensions



Sanfix P connection screw fitting
- gunmetal
Model 2119

Article	d	Z	L	SW	G
304 959	16	11	42	30	¾
304 942	20	11	44	30	¾

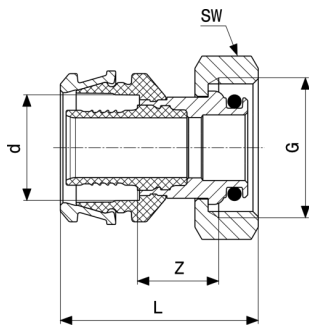
SW = Spanner width



Clamping ring screw fitting
- brass
Model 1019

Article	d	s	Z	L	SW	G
356 682	16	2	13	29	30	¾

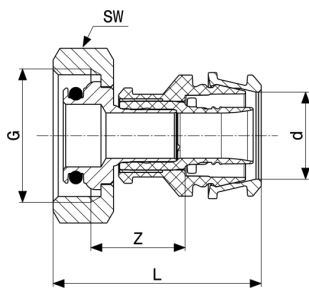
SW = Spanner width



Raxofix connection screw fitting
- silicon bronze
Model 5329

Article	d	G	Z	L	SW
647 865	16	¾	15	38	30
647 872	20	¾	15	38	30

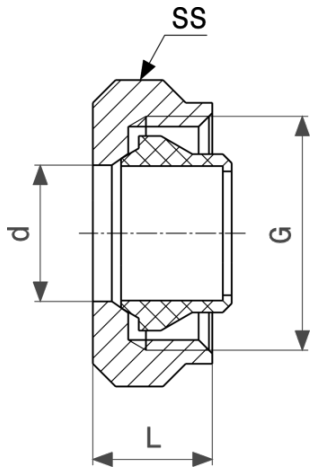
SW = Spanner width



Raxinox connection screw fitting
- non-corroding steel
Model 4429

Article	d	G	Z	L	SW
762 155	16	¾	19	41	30

SW = Spanner width



Connection screw fitting
 - brass nickel-plated
Model 94385.1

Article	d	G	L	SW
112 608	12	¾	14	30
105 358	15	¾	14	30

SW = Spanner width

Imprint

Viega GmbH & Co. KG

Viega Platz 1
57439 Attendorn
Germany
Phone: +49/2722/61-0
Fax: +49/2722/61-1566

The Viega GmbH & Co. KG is represented by the general partners: Viega Management B.V. (Managing directors: Michael Klenz, Sebastian Leigemann) and Viega Management GmbH (Managing directors: Michael Klenz, Sebastian Leigemann)

The Submittal Package contains non-binding information that is being provided to you. All contents in the Submittal Package have been compiled with the greatest possible care and attention. Despite this, we are unable to guarantee that the information is up to date, accurate and complete. Placing an order does not automatically render the Submittal Package part of the contract.